

Victor Products Ltd
New York Way
New York Industrial Park
Newcastle upon Tyne
NE27 0QF
ENGLAND
Tel : +44(0)191 2808000
Fax : +44(0)191 2808080



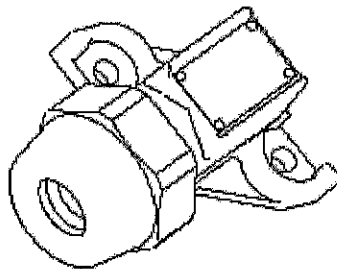
**Making Hazardous
Environments Work**

TYPE NO. A39PI and A39PI/A I.P.C. CONNECTORS

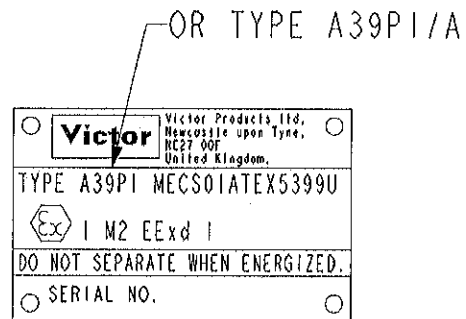
Certification number MECS01ATEX5399U I M2 EExd I

The ATEX certificate carries the ATEX group and category marking: - I M2

Where: I signifies suitability for use in mining and M2 signifies suitability for use in mines where it must be de-energised in the presence of an explosive atmosphere.



**GENERAL VIEW
TYPE A39PI**



NAMEPLATE DETAIL

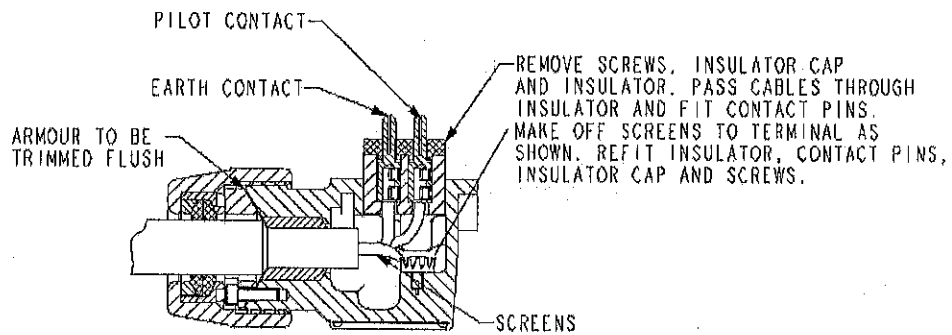
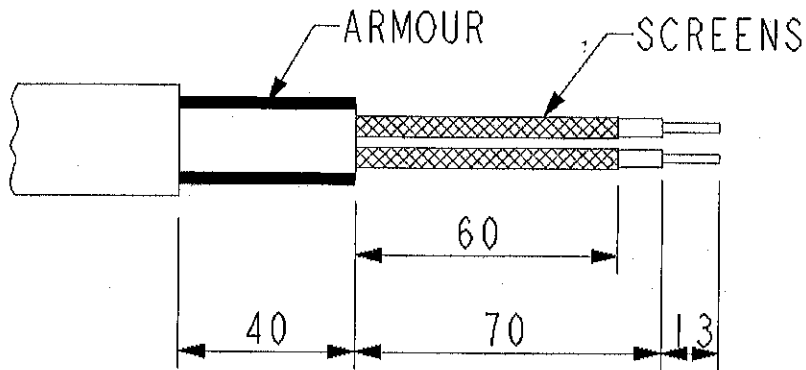
GENERAL

1. These I.P.C. Connectors Type No's. A39PI and A39PI/A can be associated with any Victor Socket/I.P.C. Adaptor appropriately certified for interfacing with the Type No A39PI and A39PI/A.
2. The cable gland is designed for use with Type 62 cable to BS 6708:1998.
3. Installation, maintenance, and inspection, must be carried out by suitably qualified personnel in accordance with established codes of practice.

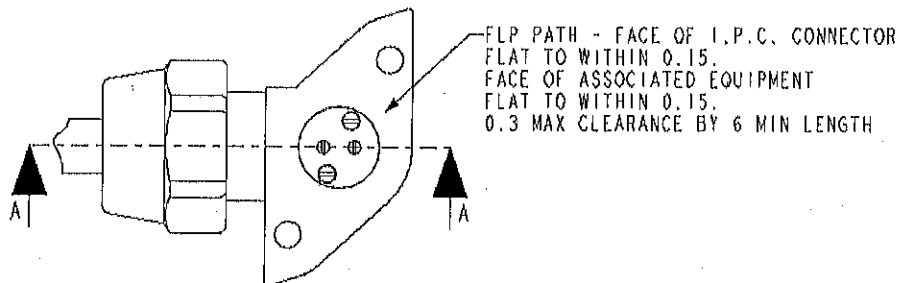
ASSEMBLY

1. During assembly it is extremely important the FLP surface of the connector is not damaged and is free from objects which may cause damage on final assembly to the Victor Socket/I.P.C Adaptor.
2. Glands and cable to be assemble as detailed below:-

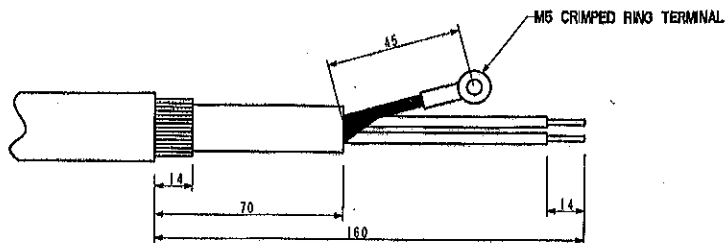
TYPE A39PI



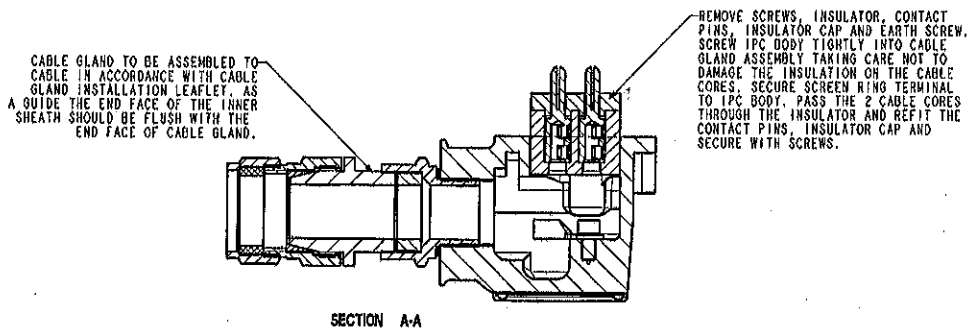
SECTION A-A



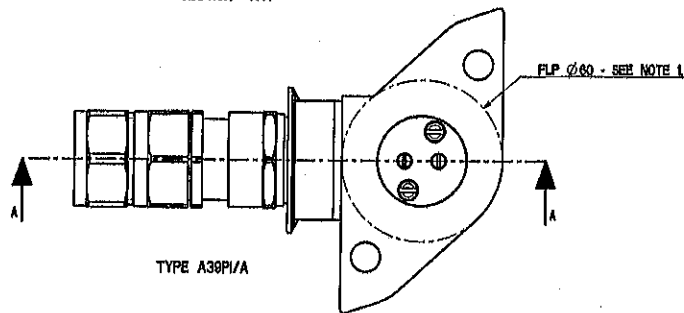
TYPE A39PI/A



CABLE MAKE OFF FOR TYPE A39PI/A



SECTION A-A



MAINTENANCE AND INSPECTION

1. It should be noted that all components that are replaced must be in accordance with the manufacturers specifications. Failure to use such components invalidates the certification and approval and may make the apparatus dangerous. NO modifications should be made to the apparatus without the knowledge and approval of the manufacturer. If in doubt, refer to the manufacturer. A copy of the Spare Parts List is available from Victor Products Ltd.
2. Before re-assembly ensure that all flameproof paths are visually inspected and dimensionally checked for any abnormality.

HEALTH AND SAFETY AT WORK etc. ACT 1974

In the United Kingdom all equipment must be installed, operated and disposed of (as required) within the legislative requirements of the Health and Safety at Work etc. Act 1974. Leaflet No. HSS L1 refers to the Company's obligation and is available on request.

It is the responsibility of the user to select, install, operate and maintain the equipment in accordance with the relevant legislation and appropriate code of practice.



EU Only

Prices and design are subject to alteration without notice. All products are sold subject to our conditions of sale, copies of which are available on request.

We reserve the right to change characteristics of our products. All data is for guidance only

EC - Declaration of conformity

CE – Déclaration De Conformité

EG - Konformitätserklärung



Victor Products Ltd
New York Way
New York Industrial Park
Newcastle upon Tyne
NE27 0QF
ENGLAND

TYPE NO. A39PI and A39PI/A I.P.C. CONNECTORS

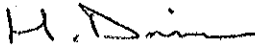
Certification number MECS01ATEX5399U IM2 EExd I

Victor Products Ltd

Hereby declare our sole responsibility that the product which is the subject of this declaration is in conformity with the following standards or normative documents.

Erklären in alleiniger Verantwortung, daß das Product auf das sich diese Erklärung bezieht, mit der/den folgenden Norm(en) oder normativen Dokumenten Übereinstimmt.

Déclarons de notre seule responsabilité, que le produit auquel cette déclaration se rapporte, est conforme aux norme(s) ou aux documents normatifs suivants.

Number and date of standard Nr. Sowie Ausgabedatum der Norm No. Ainsi que date d'émission des normes.	Directive description Bestimmungen der Richtlinie Prescription de la directive
EN 50014 (1998) EN 50018 (2000) This equipment has been reviewed against the requirements of EN60079-0: 2006 and EN60079-1: 2007, in respect of the differences from the standards to which this certificate was issued; none of these differences affect this equipment. Diese Ausrüstung ist gegen die Anforderungen von EN60079-0 wiederholt worden: 2006 und EN60079-1: 2007, in Bezug auf die Unterschiede von den Standards, zu denen diese Bescheinigung ausgestellt wurde; keine dieser Unterschiede beeinflussen diese Ausrüstung. Cet équipement a été passé en revue contre les conditions d'EN60079-0 : 2006 et EN60079-1 : 2007, en ce qui concerne les différences des normes auxquelles ce certificat a été délivré ; aucune de ces différences n'affecte cet équipement.	94/9 EC : Equipment and protective systems intended for use in potentially explosive atmospheres. 94/9 EG: Geräte und Schutzsysteme zur bestimmungsgemäßen Verwendung in explosionsgefährdeten Bereichen 94/9 CE: Appareils et systèmes de protection destinés à être utilisés en atmosphères explosibles.
EN50082 (1992) EN55015 (1993) EN 60555-2 (1987)	89/336 EEC: Electromagnetic Compatibility 89/336 EWG: Elektromagnetische Verträglichkeit 89/336 CEE: Compatibilité électromagnétique
Notified Body: SIRA Certification Services (0518) Rake Lane Eccleston Chester CH4 9JN	 H. Davis Engineering & Quality Manager Mar 2007
Notification No. SIRA 02 ATEX M191	