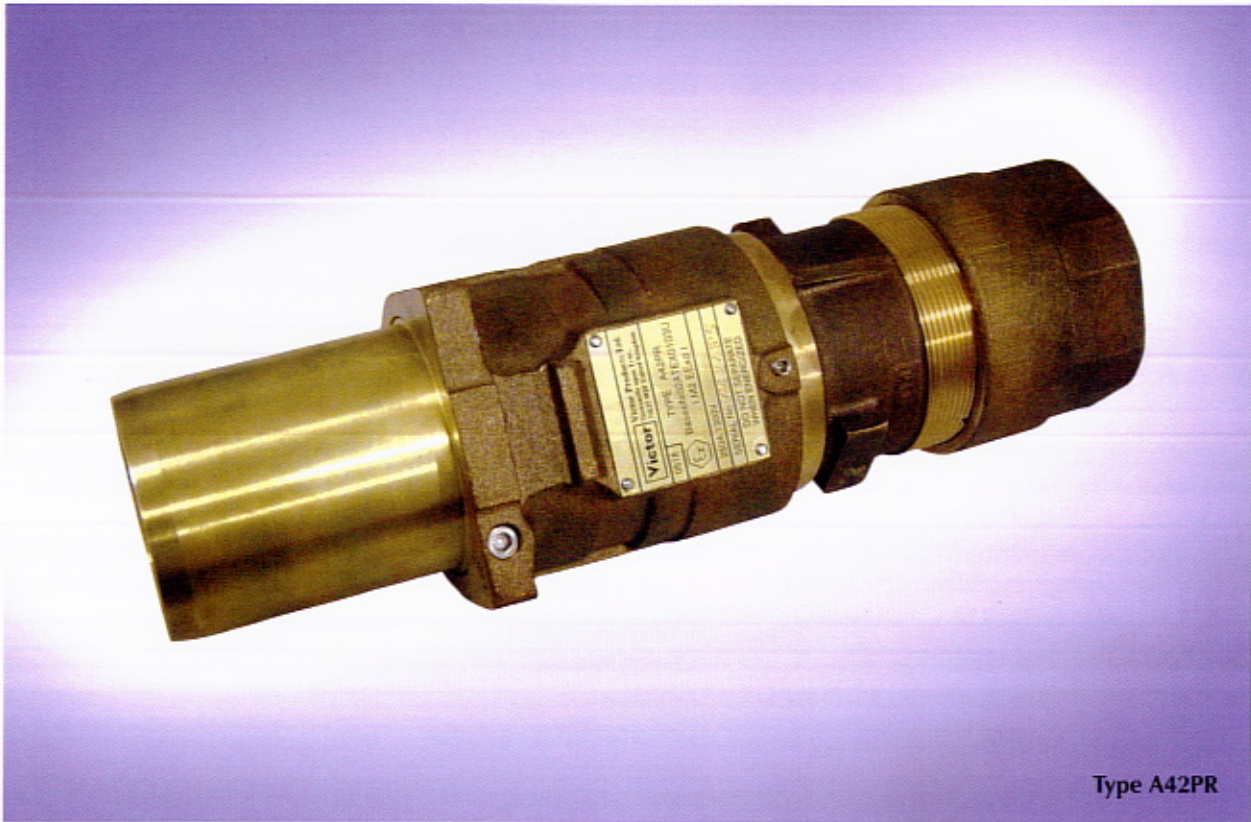


# 1300 Volt 250 Amp Restrained Plug



Type A42PR

## SPECIFICATION

- ▼ Provision of 3 power and 1 pilot contact with scraping earth facility.
- ▼ Full integral earth screening through insulator.
- ▼ Current rating - 250 Amps.
- ▼ Voltage - 1300 Volts.
- ▼ Restrained version only.
- ▼ Weight - 7Kgs.

## STANDARDS/APPROVALS

- ▼ Approved to EN 50014: 1997 and EN 50018: 2000
- ▼ Certificate No Baseefa02ATEX0103U
- ▼ Indian Certification  
Test report No ERTL (E) TES/V051/0002/09-06

## FEATURES

- ▼ Grubscrew and crimped contact pins available.
- ▼ Compact size and weight.
- ▼ Fully waterproof.
- ▼ Fast cable make off.

## APPLICATION

The termination of flexible trailing cables (unarmoured and P.W.A.) for deep mine and opencast environments. Certified for Group 1 hazardous areas where interlock by means of a pilot circuit is an essential system requirement.

These plugs can be used in conjunction with Type A42SR sockets and Type A42SCR coupler.

## SPARE PARTS

The design is serviceable which enables key parts to be easily replaced.

See spare parts data.

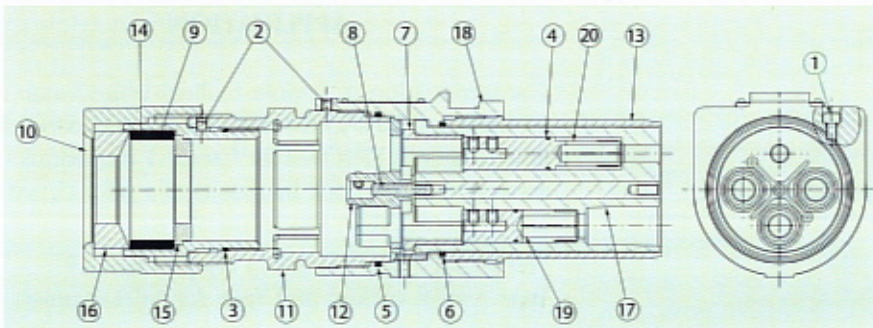
**SPARE PARTS - A42PR**

ITEM	ORDER REFERENCE	NO. PER SET	DESCRIPTION
1	218167X	1	Plug Barrel Retaining Screw
2	228030S	2	Gland Body Retaining Screw
3	123412	1	Cable Clamp Body 'O' Ring
4	122475	4	Contact Tube 'O' Ring
5	123557	1	Plug Body 'O' Ring
6	123730	1	Insulator 'O' Ring
7	124282	1	Insulator Cap
8	124284	1	Earth Pin
9	124457	1	Cable Clamp Body
10	124460	1	Gland Nut
11	123712	1	Plug Body
12	924283	1	Earth Clamp
13	120902	1	Plug Barrel
14	See Table	1	Cable Clamping Ring
15	124458*	1	Clamp Insert
16	124459*	1	Clamp Washer
17	924287	1	Insulator
18	925011	1	Coupling Body Assembly
19	See Table	1	Mains Contact Tube
20	See Table	1	Pilot Contact Tube

\*Please state maximum cable diameter

Contact Tubes	Conductor - CSA					
	P/board Ø6 Bore	16mm <sup>2</sup>	25mm <sup>2</sup>	35mm <sup>2</sup>	50mm <sup>2</sup>	70mm <sup>2</sup>
Main Contact Tube - Clamped	923716	923716E	923716D	923716C	923716A	923716B
Main Contact Tube - Crimped	-	-	924595D	924595C	924595A	924595B
Pilot Contact Tube - Clamped	-	923672	923672A	923672B	-	-
Pilot Contact Tube - Crimped	-	924596E	924596A	924596B	-	924596D

Other sizes available on request



Cable Clamping Ring	Cable Diameter Range (mm)	
		60-52
	52-43	124423F
	43-35	124423G
	35-26	124423H

**ORDERING REFERENCES**

ORDER REFERENCE	DESCRIPTION
MCA002905AE	Pilot Bored
MCA002905BCC	Type 7 50mm crimped
MCA002905BCE	Type 7 50mm grubscrew
MCA002905CCE	Type 7 70mm crimped
MCA002905CE	Type 7 70mm grubscrew
MCA002905FCE	Type 7 35mm crimped