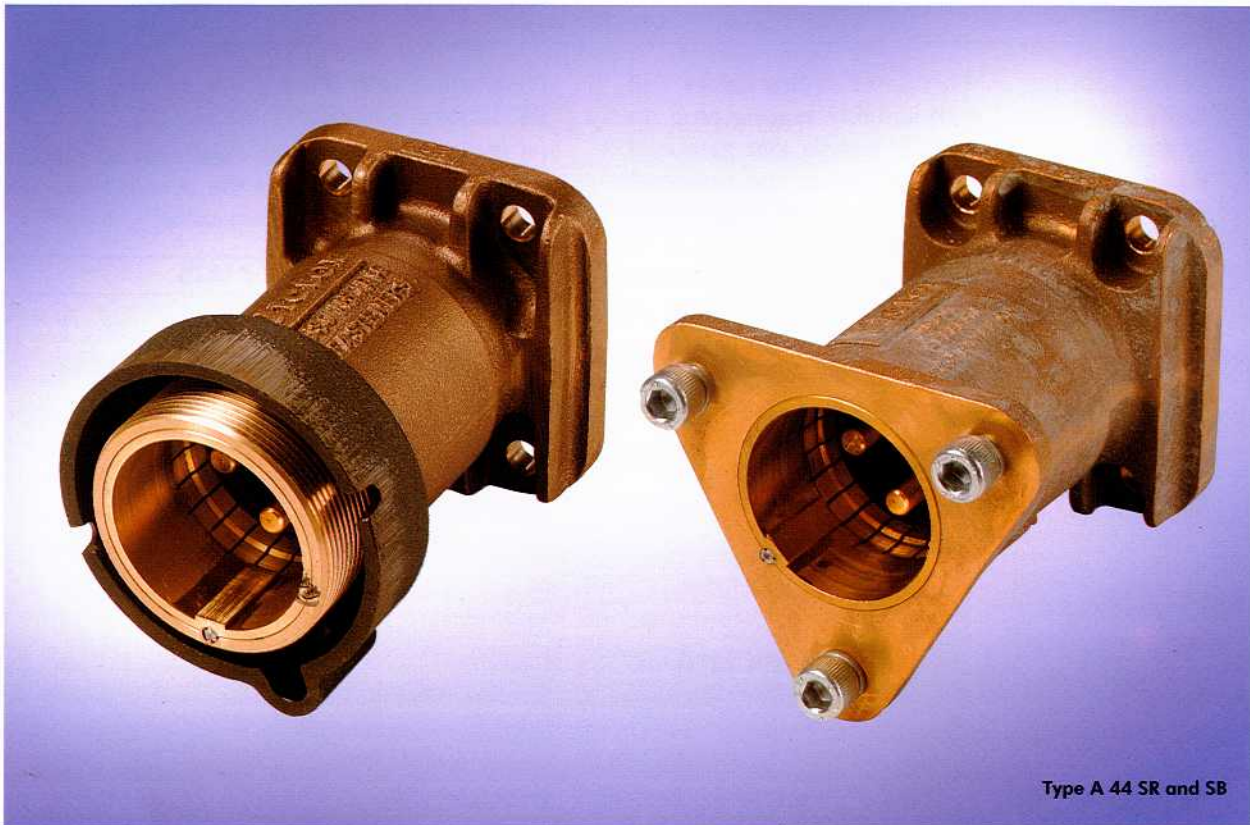


# 100 AMP Restrained & Bolted Sockets



## SPECIFICATION

- ▼ Provision of 3 power and 1 pilot with scraping earth facility.
- Current rating - 100 Amps.
- Voltage - 650/1300volt.
- Weight - Restrained 3.3Kgs, Bolted 3.6Kgs.

## FEATURES

- ▼ Minimal spares stockholding.
- ▼ Compact size and weight.
- ▼ Common parts used in restrained and bolted versions.
- ▼ Two voltage modes - 1300-650 volts.
- ▼ Simple serviceable design.
- ▼ Fully waterproof.
- ▼ Interchangeable with existing 50 Amp designs.

## STANDARDS/APPROVALS

EN 50014: 1997 and EN 50018: 2000.

Component certificate  
BASEEFA 02ATEX0077U restrained.  
Component certificate  
BASEEFA 02ATEX0079U bolted.

**Victor**

**VICTOR PRODUCTS LIMITED**

New York Way New York Industrial Park Newcastle upon Tyne NE27 0QF United Kingdom

Tel: 0191 280 8000 Fax: 0191 280 8080 e-mail: sales@victor.co.uk <http://www.victor.co.uk>

**APPLICATION**

To facilitate the connection of trailing cables and drill cables, fitted with suitable mating plug on motors, pumps, fans, drill panels and gate end boxes etc. Suitable for deep mine and opencast environments. Restrained sockets are designed for installations where a pilot control circuit is in operation acting as an electrical interlock. Bolted sockets may be used in systems with or without electrical interlock by means of a pilot circuit. Can be used at 650V or 1300V. When operated at 650 volt these sockets may be used in

conjunction with other makes of existing plugs to BS5125 and BS1395(\*)

(\*) Please note that when used with 30 Amp plugs to BS 1395, the rating of the overall cable system would be limited to 30 Amp rating.

**SPARE PARTS**

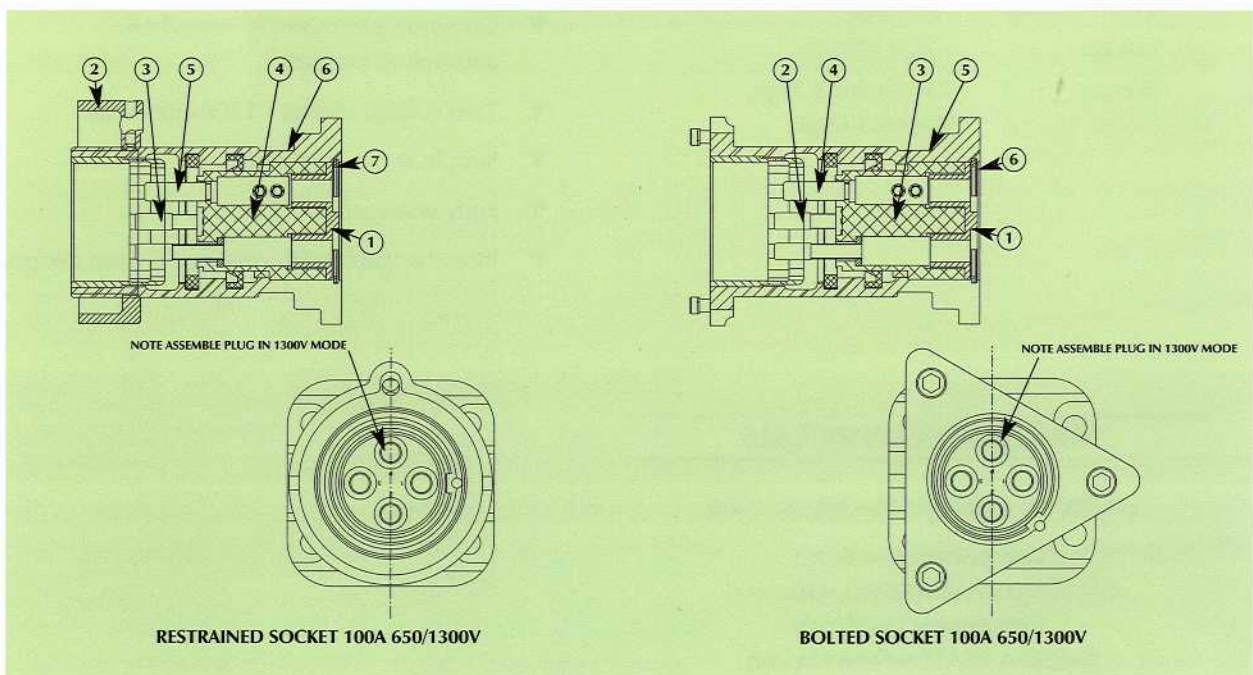
The design is serviceable which enables key parts to be easily replaced. See spare parts data.

**SPARE PARTS**

RESTRAINED SOCKET ITEM	ORDER REFERENCE	DESCRIPTION
1	MC123003	Insulator Cap
2	MC921011	Shroud Assembly
3	MC924671	Main Contact Pin Grubscrew
4	MC123002E	Insulator
5	MC923016W	Auxiliary Pin Grubscrew
6	MC925049	Restrained Socket Body
7	GP280012A	Circlip

BOLTED SOCKET	ITEM	ORDER REFERENCE	DESCRIPTION
	1	MC123003	Insulator Cap
	2	MC924671	Mains Contact Pin Grubscrew
	3	MC123002E	Insulator
	4	MC923016W	Auxiliary pin Grubscrew
	5	MC925050	Bolted Socket Body
	6	GP280012A	Circlip



**ORDERING DETAILS**

ORDER REFERENCE	DESCRIPTION
MCA 002975G	100 Amp Restrained Socket
MCA 002977G	100 Amp Bolted Socket