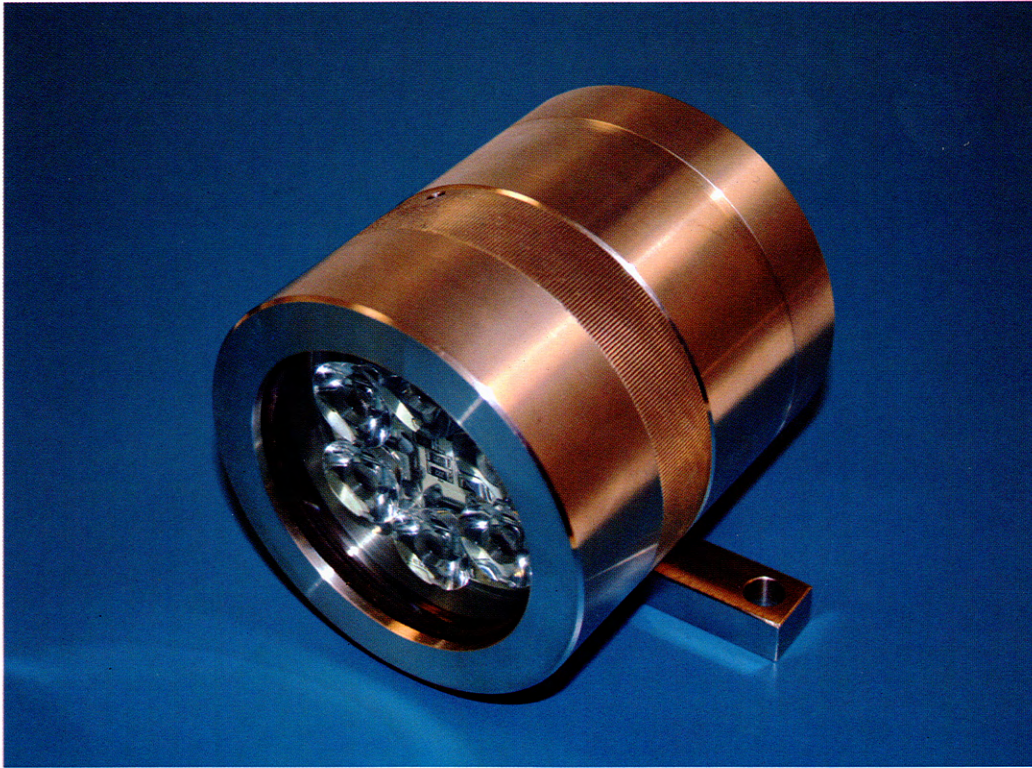


# Type ML 100 Flameproof Ex d LED Machine Light



## SPECIFICATION

- ▼ ATEX Approved
- ▼ IECEx Approved
- ▼ Utilises Latest LED Technology.
- ▼ Wide range of beam patterns available
- ▼ Clear or frosted glass available
- ▼ Wide Range of Cable Entries
- ▼ Available in Stainless Steel, Brass or Mild Steel plated. (Brass as standard)

## CERTIFICATION & APPROVAL

IECEX Certificate No. IECEx ITS08.0012

ATEX Certificate No. ITS 08 ATEX 15815

⊕ I M2 Ex d I Mb IP65

**Ambient Temperature range:**  
-20°C To +45°C

**Ingress Protection:**  
IP65

## FEATURES & BENEFITS

- ▼ Low Power Consumption.
- ▼ Low Maintenance
- ▼ Long Lamp Life
- ▼ High Resistance to Vibration & Shock
- ▼ White "Headlight" and Red "Taillight" Incorporated in One Unit.
- ▼ More Light Output than Equivalent 70W Halogen luminaire.
- ▼ Simple to install
- ▼ Flanged Cable Entries up to 2 x M25
- ▼ Screwed Cable Entries up to 2 x M32
- ▼ Guard Option Available
- ▼ Voltage options of 12 & 24V DC and 24V AC.
- ▼ Lightweight
- ▼ Low Profile

**Victor**

**VICTOR PRODUCTS LIMITED**

New York Way New York Industrial Park Newcastle upon Tyne NE27 0QF United Kingdom  
Tel: 0191 280 8000 Fax: 0191 280 8080 e-mail: sales@victor.co.uk www.victor.co.uk

## TECHINCAL SPECIFICATION

### Lamp Type

LED

Up to 50,000 hours lamp life. (Temperature and switching dependant)

### Optical Filters

A range of optional diffusers are available to suit all applications

### Power Supply

12V & 24V DC

24V AC

### Power Consumption

0.5 Amp at 24V

1.0 Amp at 12V

### Terminals

Up to 4mm<sup>2</sup>. Terminals

Each luminaire is supplied with internal and external earth as standard.

### Cable Entries

Up to 2x Dia. 25.4mm Flanged Cable Glands or

Up to 2 x M32 Threaded Cable Glands.

Others available on request

The type of cable gland used must maintain the integrity of the luminaire.

### Temperature

Ambient temperature range:- -20°C to +45°C

### Materials

Main Body - Stainless Steel or Brass or Plated Mild Steel.

Gasket - Silicone or Nitrile rubber

External Fasteners - Stainless Steel.

### Weight

Brass - 8.0 kg

Stainless Steel - 7.5 kg

Plated Mild Steel - 7.5 kg

### Installation / Mounting

The luminaire may be mounted in any orientation

Alternative mounting brackets are available on request.

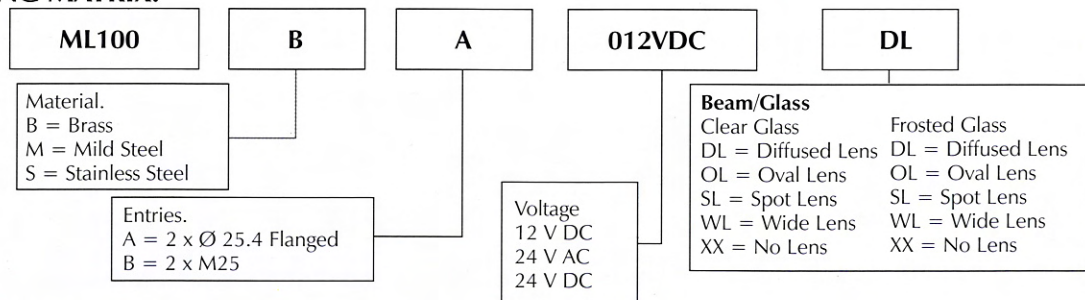
### Installation Leaflet

Item number ML193080 is supplied with each luminaire.

### Health and Safety

In the United Kingdom all equipment must be installed, operated and disposed of (as required) within the legislative requirements of the Health & Safety at Work etc. Act. 1974. Leaflet No. HSS L1 refers to the Company's obligations and is available on request. It is responsibility of the user to select, install, operate and maintain the equipment in accordance with the relevant legislation and appropriate codes of practice.

### ORDERING MATRIX.



Example ML 100BA012VDCDL = ML 100 LED Machine Light in Brass suitable to take 2 off diameter 25.4 mm flanged glands. Voltage is 12V DC with Diffused lens fitted.

### DIMENSIONS.

All dimensions are in mm.

