

Type A2F/MF

SPECIFICATION


- ▼ Ex d for Group 1 Mining applications.
- ▼ Group II options also available.
- ▼ For use with un-armoured cable
- ▼ CMP Type A2F/MF Cable gland
- ▼ Designed to BS 6121: Part 1:1989, EN50262:1999 & IEC 62444:2010

FEATURES

- ▼ Provides a flameproof and environmental seal on outer sheath
- ▼ Compatible with restricted breathing equipment
- ▼ Operating temperature range from – 60 °C to + 130 °C

CERTIFICATION & APPROVAL

EN 60079-0:2006, EN 60079-1:2007, EN 60079-7:2007, IEC 61241-0:2004, EN 61241-1:2004 and IEC 60079-0:2007.

ATEX Certified  I M2 Ex d I.

Component certificate No. Sira09ATEX1034U & Sira06ATEX1097X.

Additional certification to IECEx and GOST also available.

Ingress Protection
IP66, IP67 & IP68

Contact sales for further information

OPTIONS

- ▼ Brass, Nickel Plated Brass & Stainless Steel options available



Victor

VICTOR PRODUCTS LIMITED

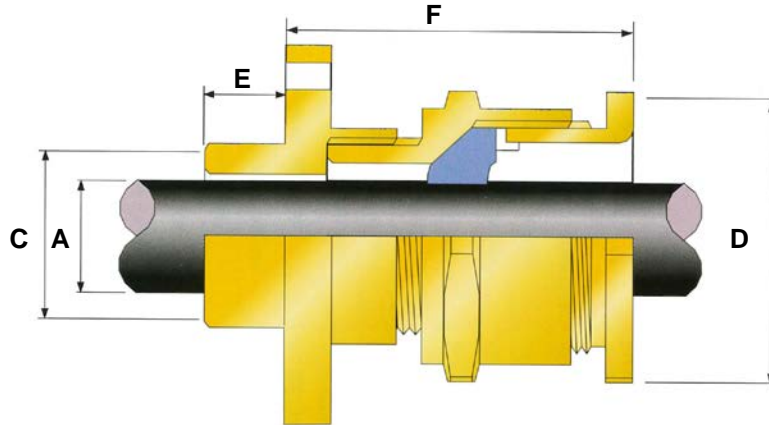
New York Way, New York Industrial Park, Newcastle upon Tyne, NE27 0QF United Kingdom
Tel: 0191 280 8000, Fax: 0191 280 8080 e-mail: sales@victor.co.uk www.victor.co.uk

A Federal  Signal Company

APPLICATION

The cable gland can be used with all forms of equipment protection in Zone 1 provided always that the prevailing code of practice for selection, installation and maintenance is observed.

DIMENSIONS



Refer to Data Sheet Cable Gland Adaptor Accessories for flange dimensions

Cable Gland Size	Spigot Diam. 'C'	Minimum Spigot Length 'E'	Cable Bedding Diameter 'A'		Across Flats 'D'	Across Corners 'D'	Nominal Protrusion Length 'F'	Cable Gland Weight (kg)
			Min	Max	Max	Max		
20S	20.0	14.7	6.1	11.7	24.0	26.4	32.1	0.074
20	20.0	14.7	6.5	14.0	27.0	29.7	32.1	0.079
25	25.0	14.7	11.1	20.0	36.0	39.6	35.1	0.100
32	32.0	14.7	17.0	26.3	41.0	45.1	38.7	0.438
40	40.0	14.7	23.5	32.2	50.0	55.0	39.7	0.620
50S	50.0	14.7	31.0	38.2	55.0	60.5	42.5	0.730
50	50.0	14.7	35.6	44.1	60.0	66.0	43.5	0.800
63S	63.0	14.7	41.5	50.0	70.0	77.0	44.5	1.040
63	63.0	14.7	47.2	56.0	75.0	82.5	44.5	1.060
75S	75.0	14.7	54.0	62.0	79.0	86.9	48.0	1.220
75	75.0	14.7	61.1	68.0	84.0	92.4	50.0	1.350

All dimensions in millimetres

TYPICAL ORDERING REFERENCE

ORDER REFERENCE	DESCRIPTION
MGA2F/F20	M20 Flanged Cable Gland - Brass
MGA2F/F25	M25 Flanged Cable Gland - Brass
MGA2F/F32	M32 Flanged Cable Gland - Brass
MGA2F/F40	M40 Flanged Cable Gland - Brass
MGA2F/F50	M50 Flanged Cable Gland - Brass

Contact Sales for all other options / sizes.



Victor

VICTOR PRODUCTS LIMITED

New York Way, New York Industrial Park, Newcastle upon Tyne, NE27 0QF United Kingdom
Tel: 0191 280 8000, Fax: 0191 280 8080 e-mail: sales@victor.co.uk www.victor.co.uk

A Federal  Signal Company