

Type PXSS2K/M

SPECIFICATION


- ▼ Ex d and Ex e for Group 1 Mining applications.
- ▼ Group II options also available.
- ▼ For use with un-armoured cable
- ▼ CMP Type PXSS2K/M Cable gland
- ▼ Designed to BS 6121: Part 1:1989, EN50262:1999 & IEC 62444:2010

FEATURES

- ▼ Provides a flameproof seal with a compound barrier seal around conductors and an environmental seal on the cable outer sheath
- ▼ Provide mechanical cable retention
- ▼ Operating temperature range from – 60 °C to + 100 °C

CERTIFICATION & APPROVAL

EN 60079-0:2006, EN 60079-1:2007
EN 60079-7:2007, IEC 61241-0:2004,
and
EN 61241-1:2004

ATEX Certified  I M2 Ex d I, Ex e I.

Component certificate No.
Sira06ATEX1097X

Additional certification to IECEx and GOST
also available.

Ingress Protection
IP66, IP67 & IP 68

Contact sales for further information

OPTIONS

- ▼ Brass, Nickel Plated Brass & Stainless Steel options available.
- ▼ Accessories include lock nut, adaptors, reducers, earth tags, shrouds, entry thread seal and serrated washers



Victor

VICTOR PRODUCTS LIMITED

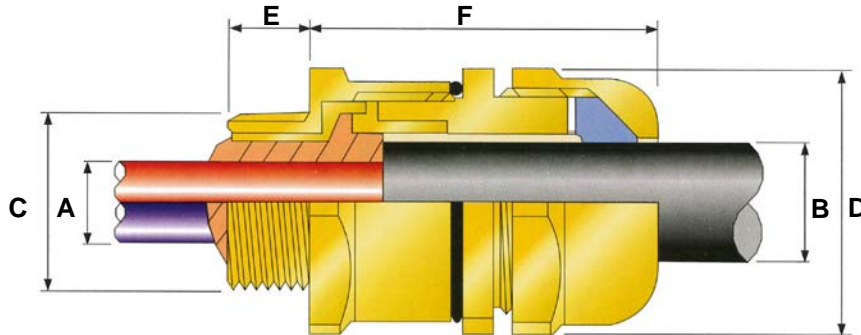
New York Way, New York Industrial Park, Newcastle upon Tyne, NE27 0QF United Kingdom
Tel: 0191 280 8000, Fax: 0191 280 8080 e-mail: sales@victor.co.uk www.victor.co.uk

A Federal  Signal Company

APPLICATION

The cable gland can be used with all forms of equipment protection in Zone 1 provided always that the prevailing code of practice for selection, installation and maintenance is observed.

DIMENSIONS



Cable Gland Size	Available Entry Threads 'C'			Min. Thread Length 'E'	Max. Dia. Over Conductors & Max. No. Cores 'A'		Overall Cable Diameter		Across Flats 'D'	Across Corners 'D'	Nominal Protrusion Length 'F'	PVC Shroud Ref.	Cable Gland Weight (kg)
	Standard		Option		Dia.	Cores	Min	Max	Max	Max			
	Metric	NPT	NPT										
20S	M20	1/2"	3/4"	15.0	12.6	11	6.1	11.7	35.5	33.6	68.5	PVC04	0.410
20	M20	1/2"	3/4"	15.0	12.6	21	6.5	14.0	30.5	33.6	70.5	PVC05	0.460
25	M25	3/4"	1"	15.0	17.5	38	11.1	20.0	37.5	41.3	77.5	PVC09	0.630
32	M32	1"	1-1/4"	15.0	23.6	59	17.0	26.3	46.0	50.6	79.5	PVC10	0.860
40	M40	1-1/4"	1-1/2"	15.0	30.0	89	22.0	32.1	55.0	60.5	88.0	PVC13	1.050
50S	M50	1-1/2"	2"	15.0	36.6	115	29.5	38.2	60.0	66.0	85.5	PVC15	1.170
50	M50	2"	2-1/2"	15.0	41.0	115	35.6	44.1	70.0	77.0	90.5	PVC18	1.230
63S	M63	2"	2-1/2"	15.0	47.9	140	40.1	50.1	75.0	82.5	101.5	PVC21	1.380
63	M63	2-1/2"	3"	15.0	53.7	140	47.2	56.0	80.0	88.0	102.0	PVC23	1.410
75S	M75	2-1/2"	3"	15.0	59.8	140	52.8	62.0	89.0	97.9	109.0	PVC24	1.900
75	M75	3"	3-1/2"	15.0	64.3	140	59.1	68.0	99.0	108.9	112.0	PVC26	2.050

All dimensions in millimetres

TYPICAL ORDERING REFERENCE

ORDER REFERENCE	DESCRIPTION
MGPXSS2K20	M20 Threaded Barrier Gland - Brass
MGPXSS2K20S	M20 S Threaded Barrier Gland - Brass
MGPXSS2K25	M25 Threaded Barrier Gland - Brass
MGPXSS2K32	M32 Threaded Barrier Gland - Brass
MGPXSS2K40	M40 Threaded Barrier Gland - Brass
MGPXSS2K50	M50 Threaded Barrier Gland - Brass
MGPXSS2K75	M75 Threaded Barrier Gland - Brass
MGPXSS2K75s	M75 S Threaded Barrier Gland - Brass

Contact Sales for all other options / sizes.



Victor

VICTOR PRODUCTS LIMITED

New York Way, New York Industrial Park, Newcastle upon Tyne, NE27 0QF United Kingdom
Tel: 0191 280 8000, Fax: 0191 280 8080 e-mail: sales@victor.co.uk www.victor.co.uk

A Federal  Signal Company

Cable Gland Type PXSS2K/M