




Victor Products Ltd
Unit 3A, Tyne Dock East Side
Port of Tyne,
South Shields,
Tyne and Wear
NE33 5SQ
United Kingdom
Tel : +44(0)191 2808000
Fax : +44(0)191 2808080



CE 2813
UK
CA 0518

Making Hazardous Environments Work

TYPE A43SCB 500AMP 3300V FLAMEPROOF BOLTED PLUG COUPLER

Certification number Baseefa09ATEX0122X  I M2 Ex db I Mb
Certification number IECEX BAS 09.0049X  I M2 Ex db I Mb
Certification number BAS22UKEX0030X  I M2 Ex db I Mb

The certificate carries the group and category marking:- I M2
Where I signifies suitability for use in mining and M2 signifies
suitability for use in mines where it must be de-energized in the
presence of an explosive atmosphere.

For India only – The coupler has been designed in accordance with IS/IEC 60079-0:2004 and
IS/IEC 60079-1:2007. Test report number CIMFR/TC/C/H332

General

The Bolted Plug Coupling unit Type A43SCB is designed in accordance with IEC 60079-0 : 2017
EDITION 7 and BS EN 60079-1 : 2014 and can be associated with any of the following Group 1 certified
components:

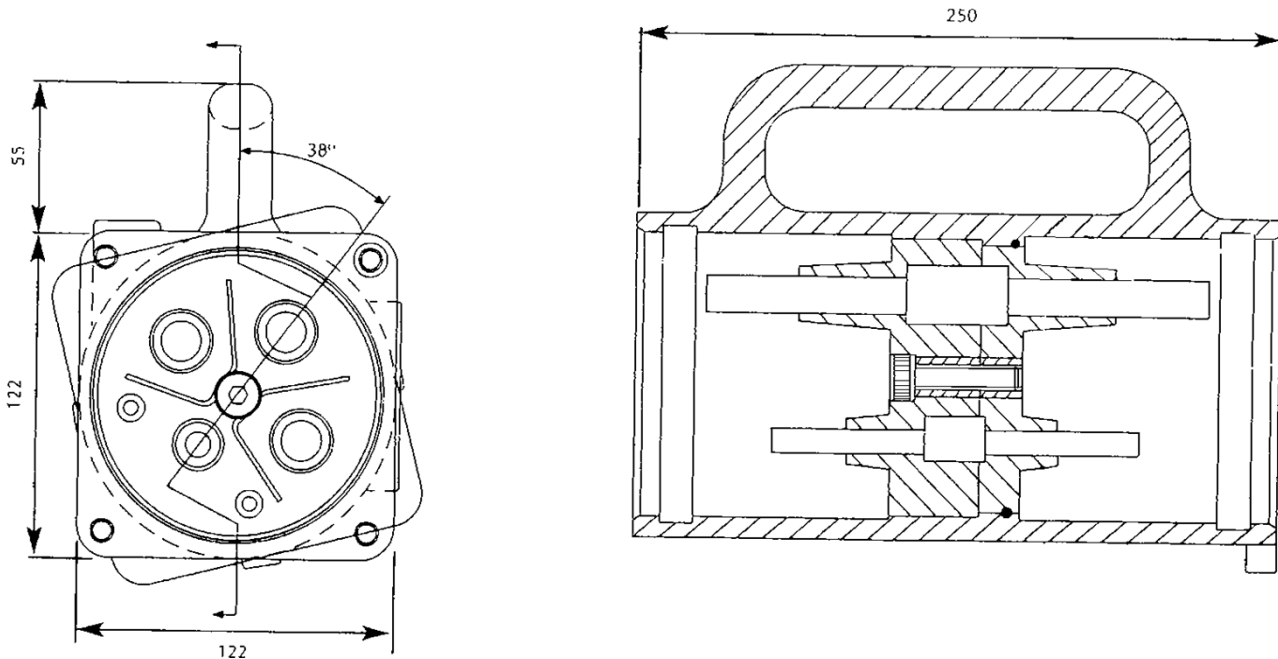
Bolted Plug Type A43PB	-	Certificate Baseefa03ATEX0023U
Bolted Plug Type 43PB	-	Certificate MECS96D5084U
Bolted Plug Type A772A2	-	Certificate HSE(M)905136U
Bolted Plug Type A43PB	-	Certificate Baseefa09ATEX0121U Certificate IECEX BAS 09.0048U Certificate BAS22UKEX0031U
Bolted Test Plug A43TPB	-	Certificate Baseefa09ATEX0121U Certificate IECEX BAS 09.0048U Certificate BAS22UKEX0031U
Bolted Test Plug A43TPB	-	Certificate Baseefa03ATEX0025U
Bolted Test Plug 43TPB	-	Certificate MECS96D5086U
Bolted Test Plug A772A2	-	Certificate HSE(M)905433U
Bolted Blank Plug A43BPB & A43BPB/A	-	Certificate Baseefa09ATEX0121U Certificate IECEX BAS 09.0048U Certificate BAS22UKEX0031U
Bolted Blank Plug A43BPB	-	Certificate Baseefa03ATEX0026U
Bolted Blank Plug 43BPB	-	Certificate MECS96D5087U
Bolted Blank Plug A772A2	-	Certificate HSE(M)905434U

Installation.

Note - It is the end users responsibility to follow the installation roles protecting other equipment energized via
the connectors against the hazards arising from power failures.

Item number 124950A
January 2024

1. Suitably qualified personnel in accordance with established codes of practice must carry out installation, maintenance, and inspection.
2. Ensure that the rated voltage and current are compatible with the power supply and load requirements.
3. Ensure that when the plug coupler is connected to its associated component, they are fully engaged and connected with fasteners of the correct type and strength.



Maintenance and Inspection

It should be noted that the original manufacturer must supply all components that are to be replaced. Failure to use such components invalidates the certification and approval and may make the apparatus dangerous. NO modifications should be made to the apparatus without the knowledge and approval of the manufacturer. If in doubt, refer to the manufacturer. A copy of the Spare Parts List is available from Victor Products Ltd.

Before re-assembly ensure that all flameproof paths are visually inspected and dimensionally checked for any abnormality.

HEALTH AND SAFETY AT WORK etc. ACT 1974

In the United Kingdom all equipment must be installed, operated and disposed of (as required) within the legislative requirements of the Health and Safety at Work etc. Act 1974. Leaflet No. HSS L1 refers to the Company's obligation and is available on request.

It is the responsibility of the user to select, install, operate and maintain the equipment in accordance with the relevant legislation and appropriate code of practice.



EU Only

Prices and design are subject to alteration without notice. All products are sold subject to our conditions of sale, copies of which are available on request.

We reserve the right to change characteristics of our products. All data is for guidance only.




UK Attestation of Conformity

Victor Products Ltd
Unit 3A, Tyne Dock East Side
Port of Tyne,
South Shields,
Tyne and Wear
NE33 5SQ
United Kingdom

TYPE A43SCB 3.3KV BOLTED FLAMEPROOF PLUG COUPLER Certification number BAS22UKEX0030X

Victor Products Ltd

Hereby declare our sole responsibility that the product which is the subject of this attestation is in conformity with the following standards or normative documents.

Number and date of standard	UK Legislation
BS EN IEC 60079-0:2018 BS EN 60079-1:2014	Equipment and Protective Systems Intended for use in Potentially Explosive Atmospheres Regulations 2016
EN50082 (1992) EN55015 (1993) EN 60555-2 (1987)	89/336 EEC: Electromagnetic Compatability
Notified Body: Sira Certification Services CSA Group Deeside CH5 3US Notified Body No. 0518	 P. Devlin Operations Manager January 2024

SERIAL NUMBER

Attestation of Conformity

Attestation de Conformité
Konformitätsbescheinigung



Victor Products Ltd
Unit 3A, Tyne Dock East Side
Port of Tyne,
South Shields,
Tyne and Wear
NE33 5SQ
United Kingdom

TYPE A43SCB 500AMP 3.3KV BOLTED FLAMEPROOF PLUG COUPLER

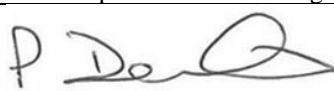
Certification number Baseefa09ATEX0122X
IECEX BAS 09.0049X

Victor Products Ltd

Hereby declare our sole responsibility that the product which is the subject of this attestation is in conformity with the following standards or normative documents.

Erklären in alleiniger Verantwortung, daß das Product auf das sich diese Bescheinigung bezieht, mit der/den folgenden Norm(en) oder normativen Dokumenten Ubereinstimmt.

Déclarons de notre seule responsabilité, que le produit auquel cette attestation se rapporte, est conforme aux norme(s) ou aux documents normatifs suivants.

Number and date of standard Nr. Sowie Ausgabedatum der Norm No. Ainsi que date d'émission des normes.	Directive description Bestimmungen der Richtlinie Prescription de la directive
BS EN IEC 60079-0:2018 BS EN 60079-1:2014	Equipment and protective systems intended for use in potentially explosive atmospheres. This Attestation is valid for directive 2014/34/EU. Geräte und Schutzsysteme zur bestimmungsgemäßen Verwendung in explosionsgefährdeten Bereichen. Diese Bescheinigung gilt für die Richtlinie 2014/34 /EU. Appareils et systèmes de protection destinés à être utilisés en atmosphères explosibles. Cette Attestation est valable pour la directive 2014/34 /UE.
EN50082 (1992) EN55015 (1993) EN 60555-2 (1987)	89/336 EEC: Electromagnetic Compatibility 89/336 EWG: Elektromagnetische Verträglichkeit 89/336 CEE: Compatibilité électromagnétique
Notified Body: CSA Group Netherlands B.V. Notified Body No. 2813	 P. Devlin Operations Manager January 2024

SERIAL NUMBER