



SPECIFICATION

- ▼ Utilises Latest LED Technology.
- ▼ Voltage ranges from 80V to 240V AC/DC in one unit, additionally 12V AC/DC & 24V AC/DC .
- ▼ Cable Entries Options available include Threaded Entry up to 2 x M32 or Flanged Entry up to 2 x 25.4 Dia. Note: Glands can be supplied on request
- ▼ Weight approximately 10.5 kg
- ▼ Installations leaflet ML193102 is supplied with each luminaire.
- ▼ Ingress protection to IP65

CERTIFICATION & APPROVAL


IECEX Certification No. IECEX SIR09.0134

I M2 Exd I Mb

ATEX Certification No. Sira 09ATEX1328

 I M2 Exd I Mb

UKEX Certification No. CSAE 21UKEX1316

 I M2 Exd I Mb

Ambient Temperature range: -20°C To +45°C

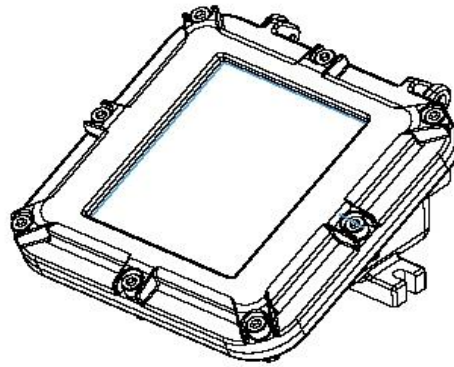
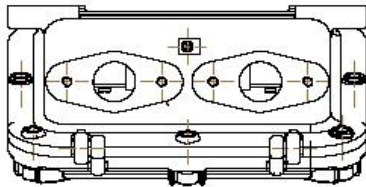
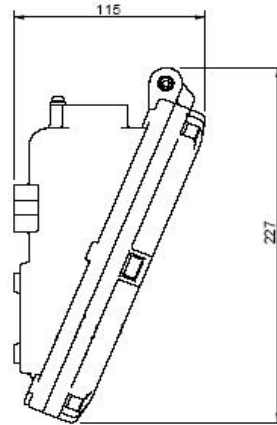
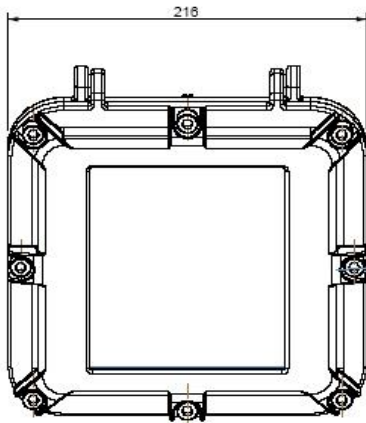
FEATURES & BENEFITS

- ▼ Low Maintenance
- ▼ Long LED Lamp Life > 100,000 hours (temperature dependant)
- ▼ High Resistance to Vibration & Shock
- ▼ Low Power Consumption – 15W max.
- ▼ The higher voltage luminaire will operate from 80V to 240V AC/DC.
- ▼ Other voltage options are available for 12V AC/DC or 24V AC/DC
- ▼ Low Profile ideal for applications with restricted head room.
- ▼ Hinged lamp-glass assembly.
- ▼ Simple installation with two cast in mounting points suitable for M8 fixings.

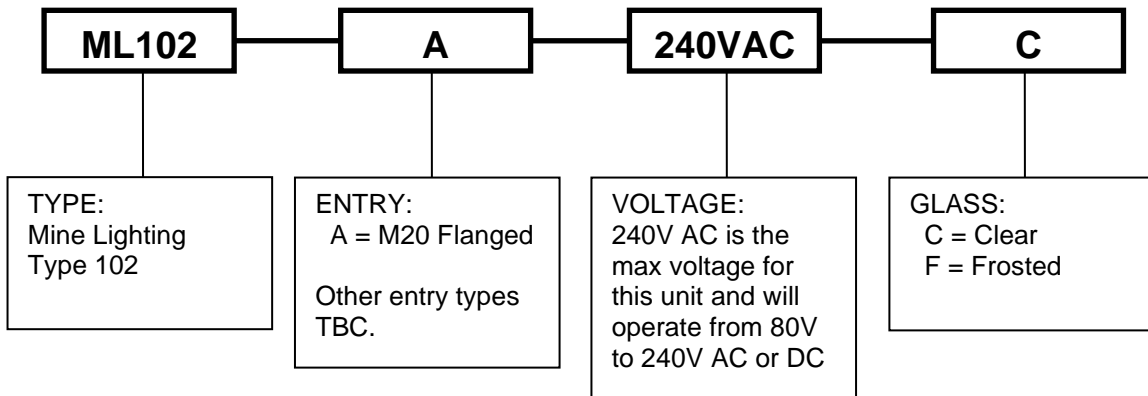




DIMENSIONS




TYPICAL ORDERING REFERENCES.



EXAMPLE: - ML102A240VACC = Mine Lighting Type ML102 for 2 x M20 Flange Cable entries suitable for voltage ranging from 80V to 240V AC or DC fitted with clear glass.



VICTOR PRODUCTS LIMITED

Unit 3A, Tyne dock East Side, Port of Tyne, South Shields NE33 5SQ United Kingdom
Tel: 0191 280 8000, Fax: 0191 280 8080 Email: sales@victor.co.uk Web: www.victor.co.uk
A Federal  Signal Company