



SPECIFICATION

- ▼ Utilises Latest LED Technology.
- ▼ Wide range of beam patterns available
- ▼ Wide Range of Cable Entries
- ▼ Available in Aluminium as standard
- ▼ Note this is NOT a flameproof product.
- ▼ Voltage options of 12 V AC/DC and 24 VAC/DC.

FEATURES & BENEFITS

- ▼ Low Power Consumption.
- ▼ Low Maintenance & Simple to install
- ▼ Long Lamp Life
- ▼ High Resistance to Vibration & Shock
- ▼ White "Headlight" and Red "Taillight" Incorporated in One Unit.
- ▼ White LED = 6,900 Lux @ 1m
- ▼ Screwed Cable Entry

TECHNICAL SPECIFICATION

Lamp Type - LED

Up to 100,000 hours lamp life (Temp. dependant)

Power Supply

12V AC/DC

or

24V AC/DC

Terminations

Grubscrew conductors up to 6mm Diameter

Materials

Main Body - Aluminium as standard.

Lampglass - Perspex

External Fasteners - Stainless Steel.

Optical Diffusers

Diffusers are available for various applications

Power Consumption

1.0 Amp at 12 V

0.5 Amp at 24 V

Cable Entries

Up to a maximum of 2 entries M25

Others available on request.

Weight

Aluminium - 1.5 kg

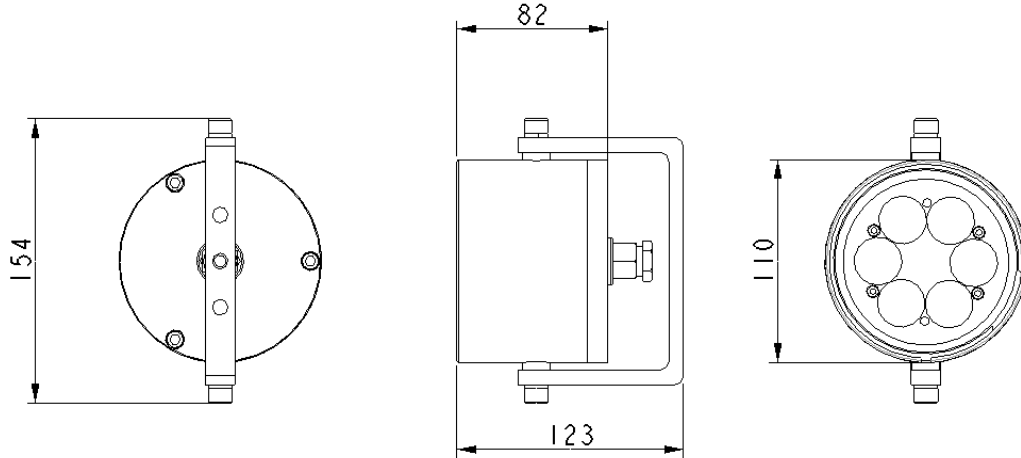
Installation Leaflet

Item number ML125261 is supplied with each luminaire.

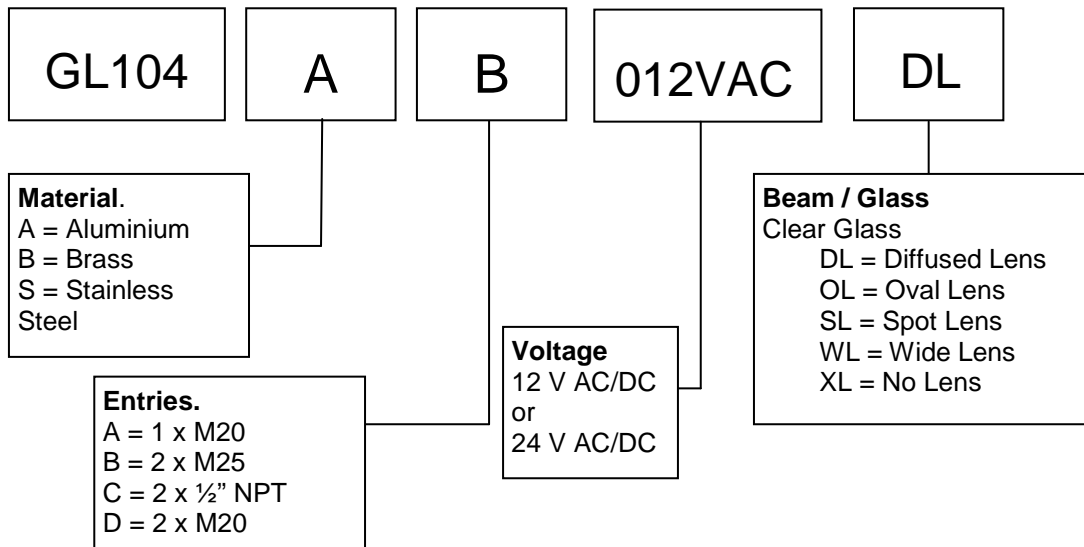


DIMENSIONS

All dimensions are in mm.



TYPICAL ORDERING MATRIX



Example GL104AB012VACDL = GL104 LED Machine Light in Aluminium suitable to take 2 off M25 cable entry glands. Voltage is 12V AC/DC with Diffused lens fitted. Additional entries are available on request.

Note:
The GL104 is not a flameproof product and should not be installed in a hazardous area.



Victor

VICTOR PRODUCTS LIMITED

New York Way, New York Industrial Park, Newcastle upon Tyne, NE27 0QF United Kingdom
Tel: 0191 280 8000 Fax: 0191 280 8080 Email: sales@victor.co.uk Web: www.victor.co.uk
A Federal Signal Company