

# 500 AMP Bolted Test Plug



Type 3BTP

## SPECIFICATION

- ▼ Provision of 3 power, 1 pilot and 2 auxiliary contacts with scraping earth facility. Full integral earth screening through insulator.
- Current rating - 500 Amps.
- Voltage - 1100/3300 Volts.
- Weight - 8.7Kgs.

## FEATURES

- ▼ Compact size and weight.
- ▼ Robust construction.
- ▼ Rotary switch operation.
- ▼ Common parts used in restrained and bolted versions.
- ▼ Two Voltage modes - 1100V and 3300V.
- ▼ Simple serviceable design.
- ▼ Fully waterproof.

## STANDARDS/APPROVALS

Approved to BS 5501 Parts 1 and 5,  
EN 50014:1977 and EN 50018:1977.

Component Certificate No. HSE(M) 90B5042U.

**Victor**

**VICTOR PRODUCTS LIMITED**

New York Way New York Industrial Park Newcastle upon Tyne NE27 0QF United Kingdom

Tel: 0191 280 8000 Fax: 0191 280 8080 e-mail: sales@victor.co.uk <http://www.victor.co.uk>

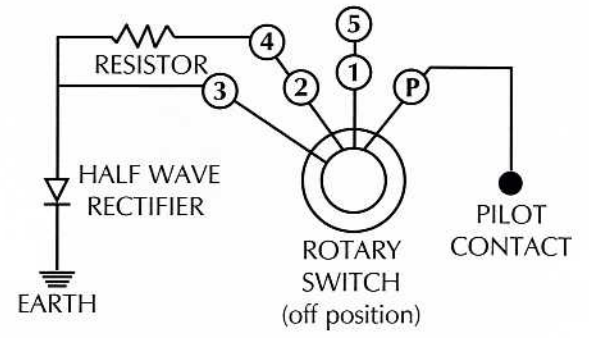
**APPLICATION**

The testing of pilot circuits in electrical equipment fitted with Type 3BS sockets. Suitable for deep mine and opencast environments. Certified for Group 1 hazardous areas. These test plugs are the essential means by which pilot circuits to BS3101 can be tested e.g. on gate end box socket outlets.

**SPARE PARTS**

The design is serviceable which enables key parts to be easily replaced. See spare parts data.

**WIRING DIAGRAM**

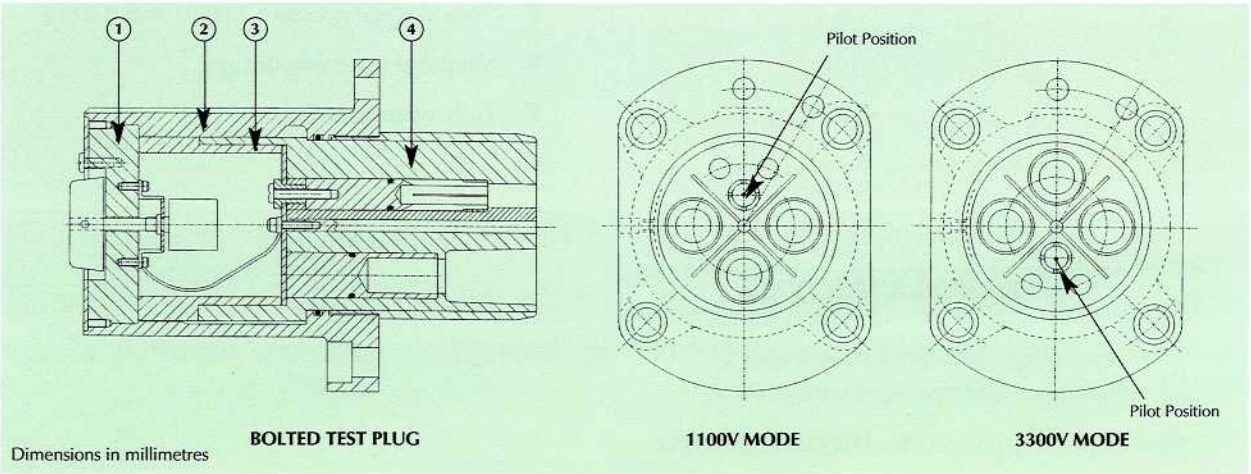


**OPERATING SEQUENCE**

POSITION	OPERATION
1	Off.
2	Contact bridges pilot to resistor. Rectifier connected to earth.
3	Contact bridges pilot to rectifier (short circuits resistor)
4	On release automatic return to position 2. Contact bridges pilot to resistor. rectifier connected to earth.
5	Off.

**SPARE PARTS**

ITEM	ORDER REFERENCE	NO. PER SET	DESCRIPTION
1	MC 50526/A	1	Switch Housing Assembly
2	MC 50537/A	1	Bolted Test Plug Body Assembly
3	MC 50527	1	Spacer
4	MC 50536/A	1	Insulator Assembly



**ORDERING REFERENCES**

ORDER REFERENCE	DESCRIPTION
MCV04940509	500 Amp Bolted Test Plug