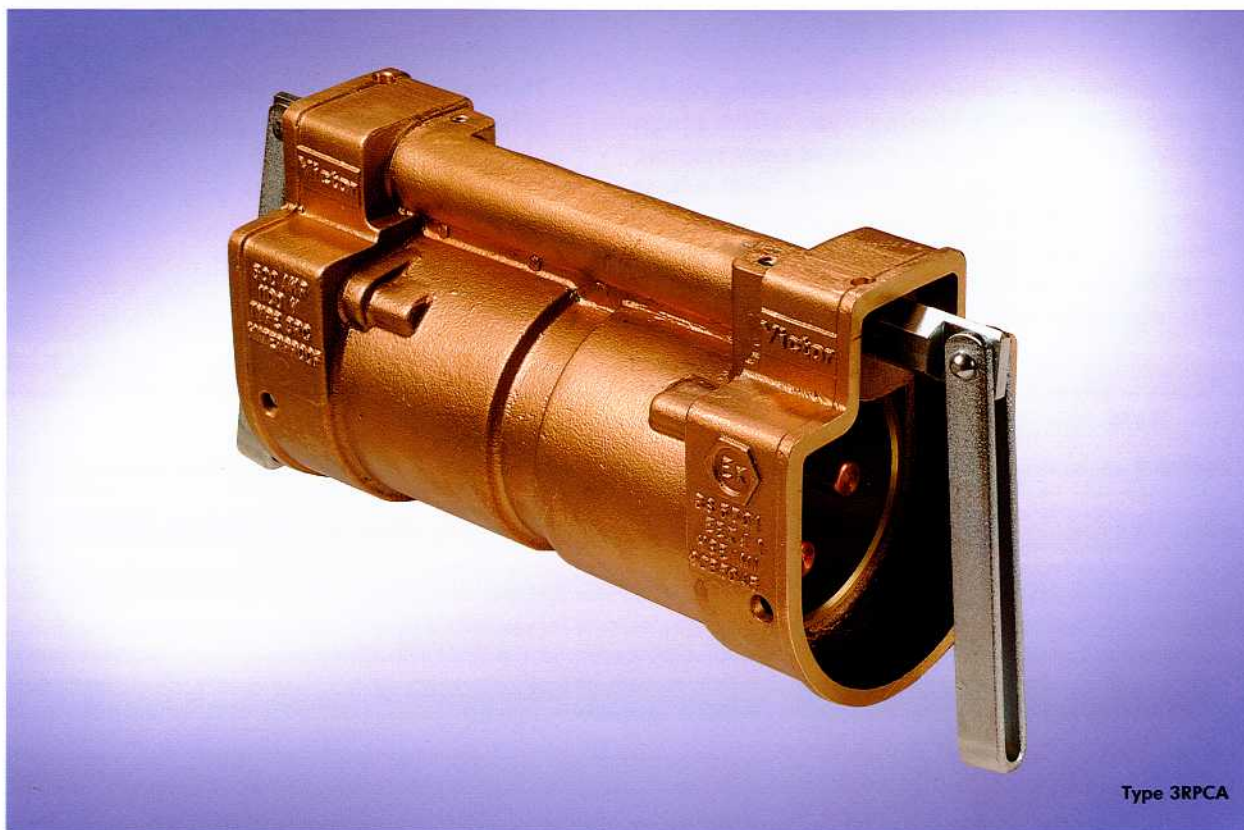


500 AMP Restrained Plug Coupler



SPECIFICATION

- ▼ Provision of 3 power, 1 pilot and 2 auxiliary contacts with scraping earth facility. Full integral earth screening through insulator.
- Current rating - 500 Amps.
- Voltage - 1100/3300 Volts.
- Weight - 13.5Kgs.

FEATURES

- ▼ Minimal spares stockholding.
- ▼ Compact size and weight.
- ▼ Common parts used in restrained and bolted versions.
- ▼ Two voltage modes - 1100 and 3300V.
- ▼ Simple serviceable design.
- ▼ Fully waterproof.
- ▼ Provision for use of padlock at both ends.

STANDARDS/APPROVALS

EN 50014: 1997 and EN 50018: 2000.

Component Certificate No. BASEEFA 02ATEX0133.

Victor

VICTOR PRODUCTS LIMITED

New York Way New York Industrial Park Newcastle upon Tyne NE27 0QF United Kingdom

Tel: 0191 280 8000 Fax: 0191 280 8080 e-mail: sales@victor.co.uk <http://www.victor.co.uk>

APPLICATION

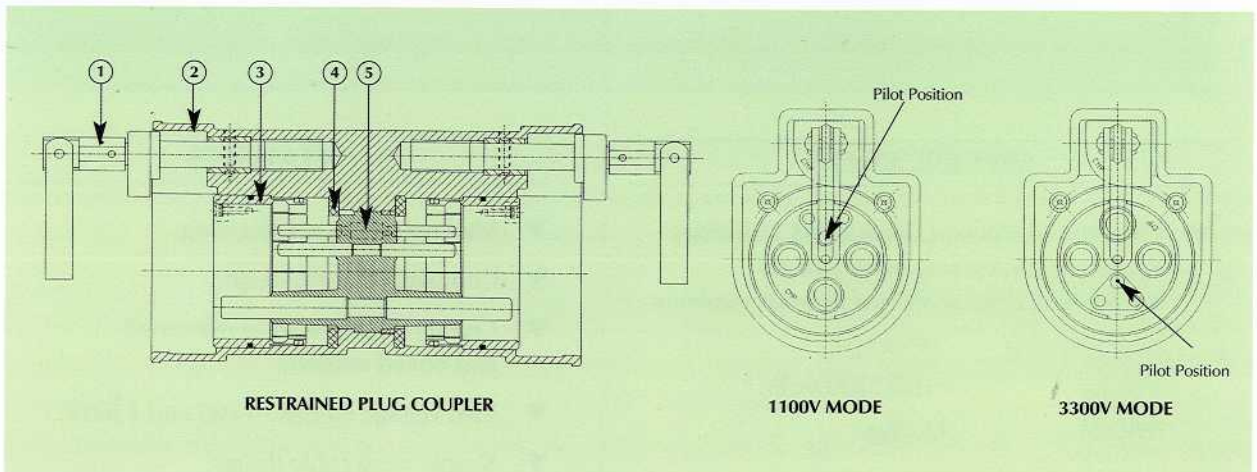
To facilitate the connection of two trailing cables, fitted with suitable mating Type 30PA plugs. Suitable for deep mine and opencast environments. Certified for Group 1 hazardous areas where electrical interlock by means of a pilot circuit is an essential system requirement. These plug couplers can be used to extend cable runs in advancing tunnels, roadways and mid-face situations.

SPARE PARTS

The design is serviceable which enables key parts to be easily replaced. See spare parts data.

SPARE PARTS

ITEM	ORDER REFERENCE	NO. PER SET	DESCRIPTION
1	MC 50054/T3	2	Withdrawal Unit Assembly
2	MC 50507A	1	Restrained Plug Coupler Body Assembly
3	MC 50491	2	Earth Sleeve Assembly
4	MC 50500	2	Interface Seal
5	MC 50508/A	1	Plug Coupler Insulator Assembly


ORDERING REFERENCES

ORDER REFERENCE	DESCRIPTION
MCV04930509A	500 Amp Restrained Plug Coupler