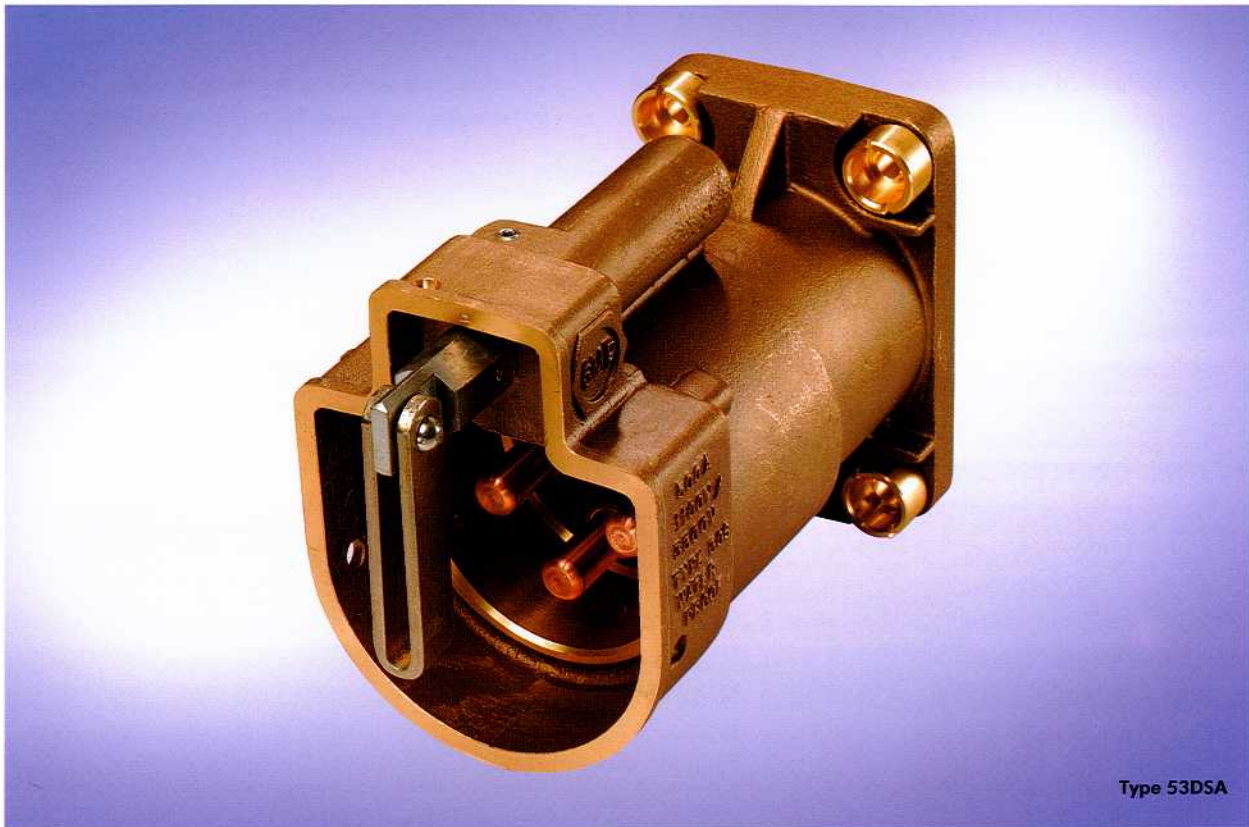


500 AMP Restrained Socket



Type 53DSA

SPECIFICATION

- ▼ Provision of 3 power, 1 pilot and 2 auxiliary contacts with scraping earth facility.
Full integral earth screening through insulator.
Current rating - 500 Amps.
Voltage - 1100/3300 Volts.
- ▼ Restrained and bolted versions available.
Weight - 11.6Kgs.

FEATURES

- ▼ Minimal spares stockholding.
- ▼ Compact size and weight.
- ▼ Common parts used in restrained and bolted versions.
- ▼ Two voltage modes - 1100 and 3300V.
- ▼ Simple serviceable design.
- ▼ Fully waterproof.
- ▼ Provision for use of padlock facility.

STANDARDS/APPROVALS

EN 50014: 1997 and EN 50018: 2000.

Socket flange mounting design interchangeable to BS 5620.

Component Certificate BASEEFA 02ATEX0131U.

Victor

VICTOR PRODUCTS LIMITED

New York Way New York Industrial Park Newcastle upon Tyne NE27 0QF United Kingdom

Tel: 0191 280 8000 Fax: 0191 280 8080 e-mail: sales@victor.co.uk <http://www.victor.co.uk>

APPLICATION

To facilitate the connection of trailing cables, fitted with a suitable mating Type 30P plug, to high powered machinery such as: coal face shearers, continuous miners, roadheaders and other large capacity apparatus. Suitable for deep mine and opencast environments.

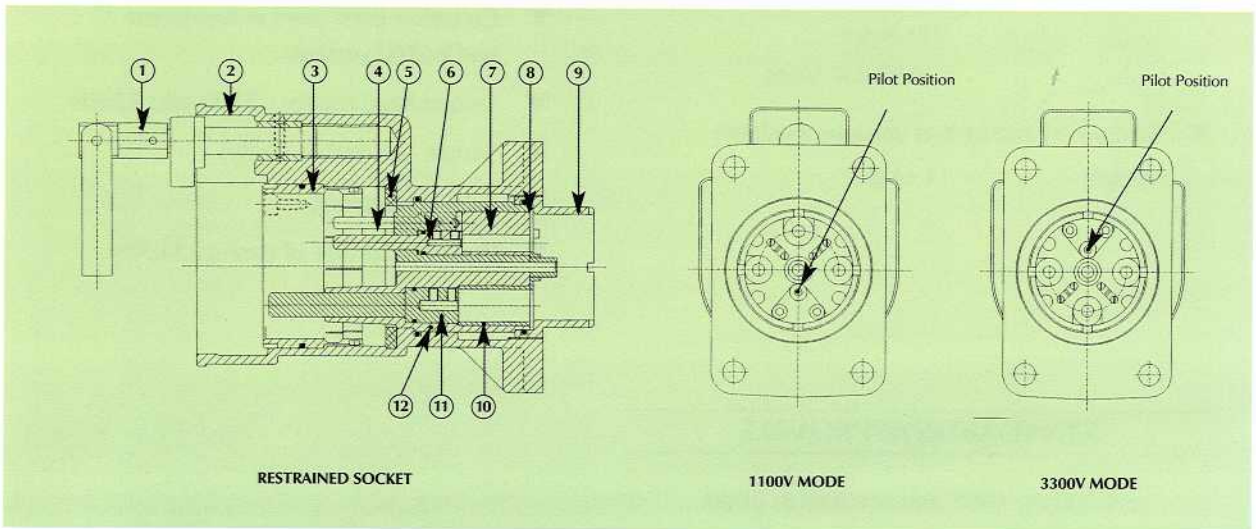
Certified for Group 1 hazardous areas where electrical interlock by means of a pilot circuit is an essential system requirement.

SPARE PARTS

The design is serviceable which enables key parts to be easily replaced. See spare parts data.

SPARE PARTS

ITEM	ORDER REFERENCE	NO. PER SET	DESCRIPTION
1	MC 50054/A	1	Withdrawal Unit Assembly
2	MC 50336E/A	1	Restrained Body Assembly
3	MC 50491/A	1	Earth Sleeve Assembly
4	MC 50277/A	2	Auxiliary Contact Pin Assembly
5	MC 50500	1	Interface Seal
6	MC 50252/A	1	Pilot Contact Pin Assembly
7	MC 50489	1	Auxiliary/Pilot Pin Spacer
8	MC 50492/A	1	Earth Plate Assembly
9	MC 50250	1	Spigot Assembly
10	MC 50488	3	Main Pin Spacer
11	MC 50251/A	3	Main Pin Assembly (grubscrew) Pilot Bored
11 a	MC 50630/A	3	Main Pin Assembly - crimped 70 mm ²
11 b	MC 50608/A	3	Main Pin Assembly - crimped 95 mm ²
11 c	MC 50738/A	3	Main Pin Assembly - crimped 120 mm ²
12	MC 50849E	1	Insulator



ORDERING REFERENCES

ORDER REFERENCE	DESCRIPTION
MCV 04420504A	500A Restrained Socket, grubscrew contact pins, pilot bored
MCV 04420505A	500A Restrained Socket, grubscrew contact pins, bored for 70 mm ² cable
MCV 04420501A	500A Restrained Socket, grubscrew contact pins, bored for 95 mm ² cable
MCV 04420506A	500A Restrained Socket, crimped contact pins for 70 mm ² cable
MCV 04420507A	500A Restrained Socket, crimped contact pins for 95 mm ² cable
MCV 04420299A	500A Restrained Socket, crimped contact pins for 120 mm ² cable