

Victor Products Ltd
 New York Way
 New York Industrial Park
 Newcastle upon Tyne
 NE27 0QF
 ENGLAND
 Tel : +44(0)191 2808000
 Fax : +44(0)191 2808080



**Making Hazardous
 Environments Work**

TYPE 5M500 750AMP 5000/3300VOLT BOLTED FLAMEPROOF PLUG

<p>Certification number SIRA 10ATEX1347U IECEX SIR 10.0173U</p>

TYPE 5M500PB DETAILS

○	Victor	Victor Products Ltd. Newcastle, U.K.	○
TYPE 5M500PB		Ex d I Mb	0518
	I M2	SIRA 10ATEX1347U IECEX SIR 10.0173U	
3300/5000 VOLTS 750 AMPS			
WARNING - DO NOT SEPARATE WHEN ENERGISED.			
○	SERIAL No.		○

General

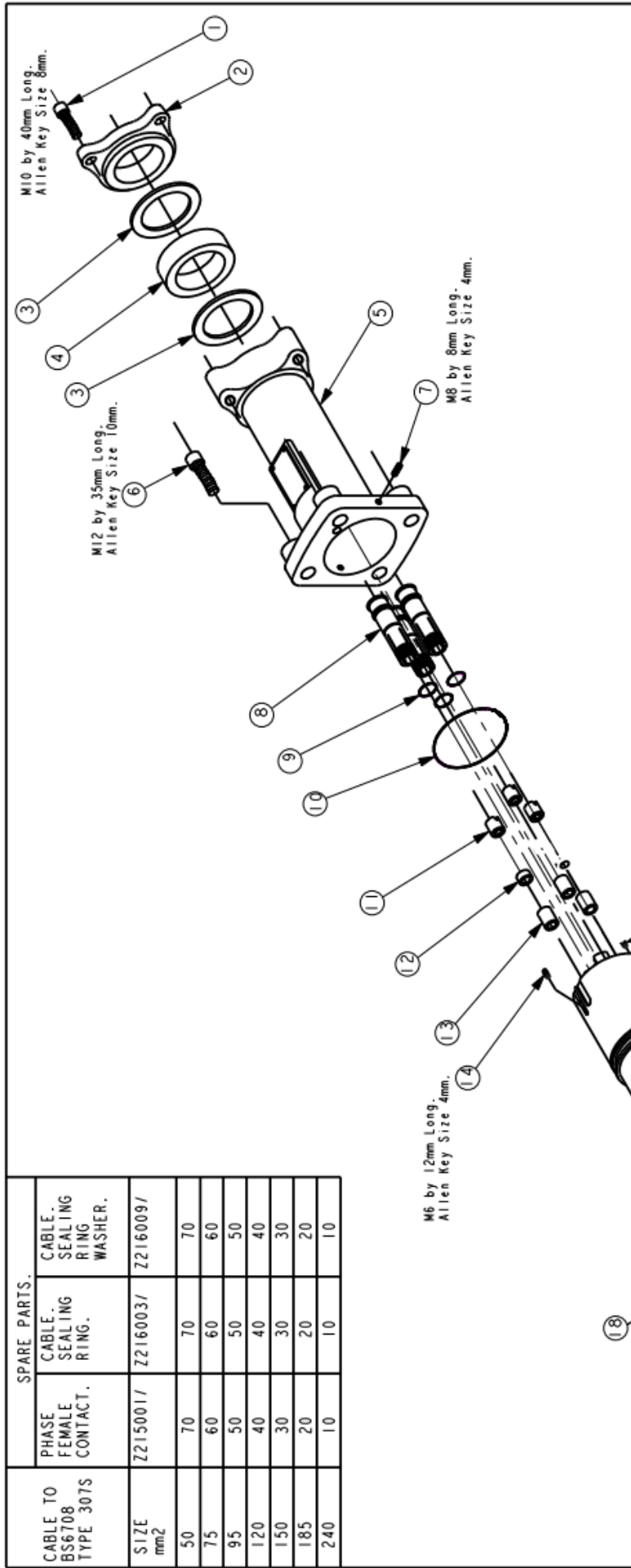
The Type 5M500PB Bolted Plug is designed in accordance with EN50079-0:2006 and EN50079-1:2007 and can be associated with any of the following Group 1 certified components:

Bolted Socket Type 5M500SB Certification number SIRA 10ATEX1347U and IECEX SIR 10.0173U
 Bolted Plug Coupler Type 5M500SCB Certification number SIRA 10ATEX1347U and IECEX SIR 10.0173U

Installation

1. Only suitably qualified personnel in accordance with established codes of practice should carry out installation, maintenance, and inspection. Before commencement of work ensure the rated voltage and current are compatible with the power supply and load requirements.
2. Ensure that an approved type and size of cable is used with the plug. The maximum cable size the plug can accommodate is 240mm². If used above 630A use cable suitable for temperature above 80C.

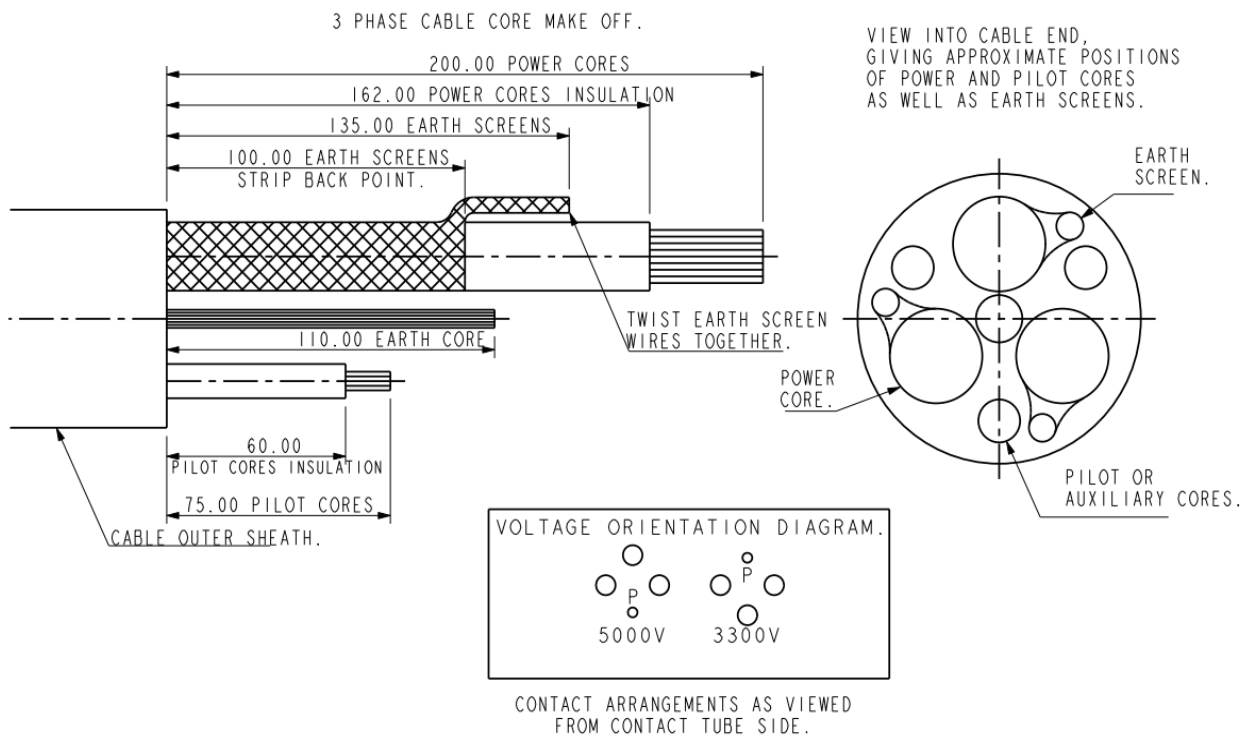
CABLE TO BS6708 TYPE 307S	SPARE PARTS.		
	PHASE FEMALE CONTACT.	CABLE SEALING RING.	CABLE SEALING RING WASHER.
SIZE mm2	Z215001/	Z216003/	Z216009/
50	70	70	70
75	60	60	60
95	50	50	50
120	40	40	40
150	30	30	30
185	20	20	20
240	10	10	10



REF	DESCRIPTION.	ITEM No.	QTY.
18	AUXILIARY CONTACTS WITH CABLE.	Z217002	2
17	PILOT CONTACT WITH CABLE.	Z217001	1
16	PHASE CONTACTS RETAINERS.	I37396	3
15	PLUG BARREL AND INSULATORS.	Z211001	1
14	EARTH WIRES CLAMPING SCREWS.	Z28073	8
13	PILOT AND AUX. CON. WATERSEAL.	Z226004	3
12	PILOT AND AUX. CON. WASHER.	Z225006	3
11	PILOT AND AUX. CON. NUT.	Z225007	3
10	PLUG BARREL WATERSEAL "O" RING.	I37393	1
9	PHASE CONTACT.	I37409	3
8	PHASE CONTACT.	SEE TABLE.	3
7	PLUG BARREL RETAINING SCREWS.	Z27904	2
6	PLUG TO SOCKET RETAINING SCREWS.	Z18929S	4
5	PLUG BODY.	Z214001	1
4	CABLE SEALING RING.	SEE TABLE.	1
3	CABLE SEALING RING. CLAMP WASHER.	SEE TABLE.	2
2	CABLE CLAMP BOLTED.	Z214009	1
1	CABLE CLAMP BOLTED. RETAINING SCREW.	Z18925S	3

- Loosen screws (7) until they protrude 4mm from plug body and remove plug barrel (13).

Cable Preparation



- Slide the plug body (5) and associated parts, cable clamp (2), two off clamp washers (3), and cable sealing ring (4) up the cable.
- Taking the contact tubes (8) one at a time, fit tube onto power conductor ensuring the tube is hard up against the conductor insulation and the tube and conductor are perfectly in line and not at an angle. Using the correct die set, crimp the tube onto the conductor.
- Insert the earth core into the centre hole and tighten the retaining screws.
- Remove the large o ring from the phase contact tubes and insert the tubes into their respective bores in the plug barrel. Using the tool provided, push the o ring (8) over the contact tubes from the opposite end of the plug barrel that the tubes enter.
- For pilot only with no auxiliary connections, joint together the pilot core with the cables protruding from the plug barrel.
- For pilot and auxiliary connections, joint the pilot to the pilot pin cable (17) protruding from the plug barrel, and the auxiliary cores to the auxiliary pin cables (18) protruding from the plug barrel.
- Insert the earth screen wires into the holes provided for them and tighten the retaining screws. Note the screws must not protrude outside the barrel (15).
- Slide the plug body (5) and associated parts down the cable until the plug barrel (15) begins to enter the plug body (5). At this point ensure the pilot contact is correctly orientated for the system voltage. The orientation is ensured by the keying between the plug barrel and plug body. Continue moving the plug body over the plug barrel until the barrel is fully inserted. Tighten the retaining screws (7).

Maintenance and Inspection

It should be noted that the original manufacturer must supply all components that are to be replaced. Failure to use such components invalidates the certification and approval and may make the apparatus dangerous. NO modifications should be made to the apparatus without the knowledge and approval of the manufacturer. If in doubt, refer to the manufacturer. A copy of the Spare Parts List is available from Victor Products Ltd.

Before re-assembly ensure that all flameproof paths are visually inspected and dimensionally checked for any abnormality.

HEALTH AND SAFETY AT WORK etc. ACT 1974

In the United Kingdom all equipment must be installed, operated and disposed of (as required) within the legislative requirements of the Health and Safety at Work etc. Act 1974. Leaflet No. HSS L1 refers to the Company's obligation and is available on request.

It is the responsibility of the user to select, install, operate and maintain the equipment in accordance with the relevant legislation and appropriate code of practice.



EU Only

Prices and design are subject to alteration without notice. All products are sold subject to our conditions of sale, copies of which are available on request.

We reserve the right to change characteristics of our products. All data is for guidance only

EC - Declaration of conformity

CE – Déclaration De Conformité

EG - Konformitätserklärung



Victor Products Ltd
New York Way
New York Industrial Park
Newcastle upon Tyne
NE27 0QF
ENGLAND

TYPE 5M500 750AMP 5000/3300VOLT BOLTED FLAMEPROOF PLUG

Certification number SIRA 10ATEX1347U


IECEX SIR 10.0173U

Victor Products Ltd

Hereby declare our sole responsibility that the product which is the subject of this declaration is in conformity with the following standards or normative documents.

Erklären in alleiniger Verantwortung, daß das Product auf das sich diese Erklärung bezieht, mit der/den folgenden Norm(en) oder normativen Dokumenten Ubereinstimmt.

Déclarons de notre seule responsabilité, que le produit auquel cette déclaration se rapporte, est conforme aux norme(s) ou aux documents normatifs suivants.

Number and date of standard Nr. Sowie Ausgabedatum der Norm No. Ainsi que date d'émission des normes.	Directive description Bestimmungen der Richtlinie Prescription de la directive
BS EN 60079-0 : 2009 BS EN 60079-1 : 2007	94/9 EC : Equipment and protective systems intended for use in potentially explosive atmospheres. 94/9 EG: Geräte und Schutzsysteme zur bestimmungsgemäßen Verwendung in explosionsgefährdeten Bereichen 94/9 CE: Appareils et systèmes de protection destinés a être utilisés en atmosphères explosibles.
EN50082 (1992) EN55015 (1993) EN 60555-2 (1987)	89/336 EEC: Electromagnetic Compatability 89/336 EWG: Elektromagnetische Verträglichkeit 89/336 CEE: Compatabilité électromagnétique
Notified Body: SIRA Certification Services (0518) Rake Lane Eccleston Chester CH4 9JN	 H. Davis Engineering & Quality Manager December 2010
Notification No. SIRA 02 ATEX M191	