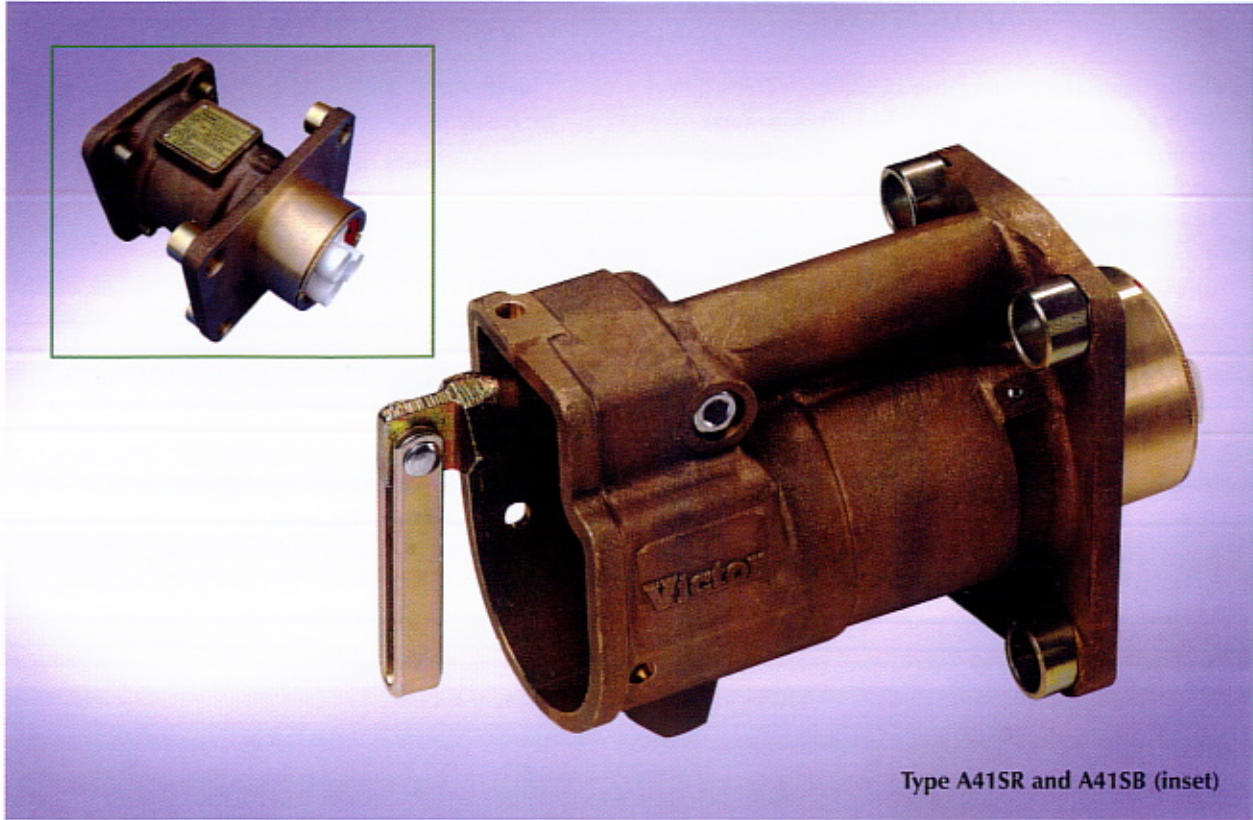


Dual Voltage 250 Amp Restrained and Bolted Sockets



Type A41SR and A41SB (inset)

SPECIFICATION

- ▼ Provision of 3 power and 1 pilot contact with scraping earth facility.
- ▼ Full integral earth screening through insulator.
- ▼ IPC outlet available on restrained socket.
- ▼ Current rating - 250 Amps.
- ▼ Voltage - 650/1300 Volts (dual voltage).
- ▼ Restrained and bolted versions available.
- ▼ Weight - 9Kgs.

FEATURES

- ▼ Common parts used in restrained and bolted versions.
- ▼ Provision for use of padlock..
- ▼ Fully waterproof.
- ▼ Grubscrew and crimped connections available.

STANDARDS/APPROVALS

- ▼ Approved to EN 50014: 1997 and EN 50018: 2000
- ▼ Certificate No MECS02ATEX5102U Restrained
Certificate No MECS02ATEX5097U Bolted

APPLICATION

To facilitate the connection of trailing cables, fitted with a suitable mating Type A41 plugs to fans, motors, starters, gate end boxes, shearers and mobile machines. Suitable for deep mines and opencast environments.

Certified for Group 1 hazardous areas where electrical interlock by means of a pilot circuit is an essential system requirement.

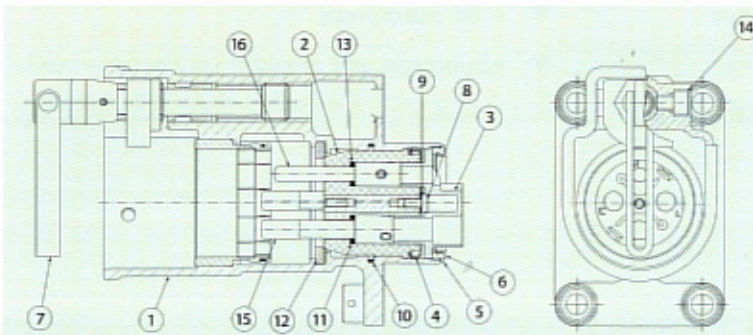
SPARE PARTS

The design is serviceable which enables key parts to be easily replaced.

See spare parts data.

SPARE PARTS - A41SR & A41SB

ITEM	ORDER REFERENCE	NO. PER SET	DESCRIPTION
1	924926S	1	Restrained Socket Body Assembly - A41SR
	924857S	1	Bolted Socket Body Assembly - A41SB
2	121569E	1	Socket Insulator
3	124385	1	Insulator Cap
4	121570	1	Earth Disc
5	123222	1	Retaining Ring
6	124386	1	Insulating Ring
7	921233	1	Withdrawal Spindle Assembly - A41SR
8	218202	1	Earth Disc Screw
9	257076	1	Earth Disc Lock Washer
10	123730	1	Insulator 'O' Ring
11	124376	1	Main Contact Pin Seal
12	123229	1	Socket Body Gasket
13	124375	1	Pilot Contact Pin Seal
14	218202	1	Withdrawal Spindle Screw - A41SR
15	See Table	3	Mains Contact Pin
16	See Table	1	Pilot Contact Pin



Main Contact Pin	Conductor - CSA		
	P/bored 16mm ²	50mm ²	70mm ²
Crimped	-	923614	923614A
Clamped	921577M	921577B	921577A
Pilot contact pin	6mm ²	-	-
Crimped	921335	-	-
Clamped	921111M	-	-

Other sizes available on request

ORDERING REFERENCES

ORDER REFERENCE	DESCRIPTION
MCA002677E	250A Bolted Socket pilot bored pins
MCA002677CE	250A Bolted Socket 50mm grubscrew
MCA002677BE	250A Bolted Socket 70mm grubscrew
MCA002811E	250A Bolted Socket 50mm crimped
MCA002811BE	250A Bolted Socket 70mm crimped
MCA002678E	250A Rest Socket pilot bored pins
MCA002678BE	250A Rest Socket 50mm grubscrew
MCA002678AE	250A Rest Socket 70mm grubscrew