

Victor Products Ltd
New York Way
New York Industrial Park
Newcastle upon Tyne
NE27 0QF
ENGLAND
Tel : +44(0)191 2808000
Fax : +44(0)191 2808080



**Making Hazardous
Environments Work**

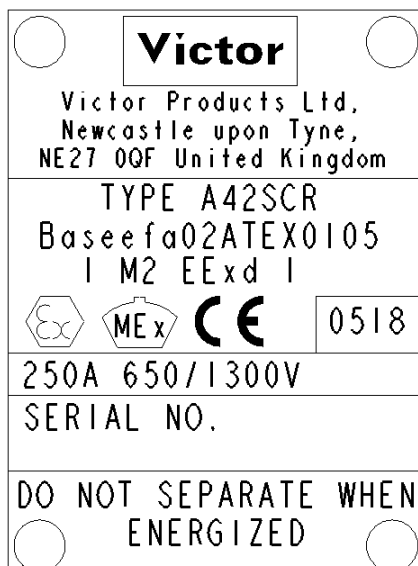
TYPE A42 RANGE FLAMEPROOF PLUG COUPLERS

250Amp 650/1300Volt Dual Voltage Restrained Coupler Type A42SCR
250Amp 1300Volt Restrained Coupler Type A42SCR/B, A42SCR/C

Certification number Baseefa02ATEX0105 I M2 EExd I

The ATEX certificate carries the ATEX group and category marking: - I M2

Where: I signifies suitability for use in mining and M2 signifies suitability for use in mines where it must be de-energised in the presence of an explosive atmosphere.



NAMEPLATE DETAIL

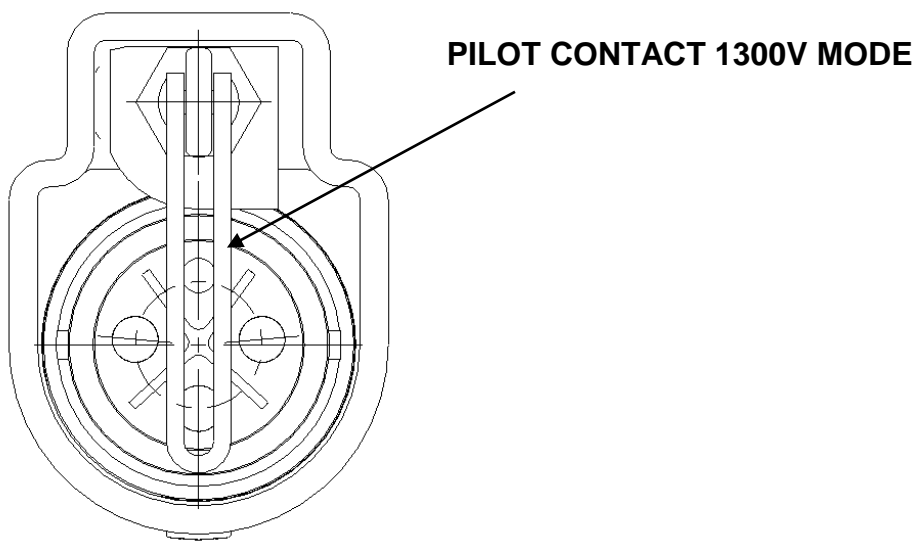
General

These Plug Coupling Units are designed in accordance with EN50014:1997 and EN50018:2000. They can be associated with any relevant certified connectors for flameproof enclosures Group I apparatus that complies dimensionally with BS5620, in this way connectors complying with BS5620 and certified to BS5501, or BS4683, or BS229 can be intermixed.

For India only – These plug coupling units have been designed in accordance with IS/IEC 60079-0:2004 and IS/IEC 60079-1:2007. Test report number CIMFR/TC/P/H475.

Installation - all

1. Installation, maintenance, and inspection, must be carried out by suitably qualified personnel in accordance with established codes of practice.
2. Restrained type of plugs and coupling units are for use only with electrical interlock.
3. Ensure that the rated voltage and current are compatible with the power supply and load requirements. The Type A42SCR Coupler can be dismantled the insulators turned through 180° and re-assembled. The Type A42SCR/B and A42SCR/C are 1300V only.



4. Ensure that when the plugs are connected for use, with their mating approved couplers, that they are fully engaged. Restrained plugs are fully engaged with their couplers when the handle on the coupler is wound fully home.

Accessories

Restrained Couplers can be fitted with Victor Closer Caps.

Maintenance and Inspection

It should be noted that all components that are replaced must be in accordance with the manufacturers specifications. Failure to use such components invalidates the certification and approval and may make the apparatus dangerous. NO modifications should be made to the apparatus without the knowledge and approval of the manufacturer. If in doubt, refer to the manufacturer. A copy of the Spare Parts List is available from Victor Products Ltd.

Before re-assembly ensure that all flameproof paths are visually inspected and dimensionally checked for any abnormality.

HEALTH AND SAFETY AT WORK etc. ACT 1974

In the United Kingdom all equipment must be installed, operated and disposed of (as required) within the legislative requirements of the Health and Safety at Work etc. Act 1974. Leaflet No. HSS L1 refers to the Company's obligation and is available on request.

It is the responsibility of the user to select, install, operate and maintain the equipment in accordance with the relevant legislation and appropriate code of practice.



EU Only

Prices and design are subject to alteration without notice. All products are sold subject to our conditions of sale, copies of which are available on request.

We reserve the right to change characteristics of our products. All data is for guidance only

EC - Declaration of conformity

CE – Déclaration De Conformité

EG - Konformitätserklärung



Victor Products Ltd
New York Way
New York Industrial Park
Newcastle upon Tyne
NE27 0QF
ENGLAND

TYPE A42 RANGE FLAMEPROOF PLUG COUPLERS

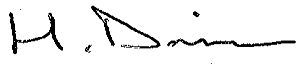
Certification number Baseefa02ATEX0105 I M2 EExd I

Victor Products Ltd

Hereby declare our sole responsibility that the product which is the subject of this declaration is in conformity with the following standards or normative documents.

Erklären in alleiniger Verantwortung, daß das Product auf das sich diese Erklärung bezieht, mit der/den folgenden Norm(en) oder normativen Dokumenten Ubereinstimmt.

Déclarons de notre seule responsabilité, que le produit auquel cette déclaration se rapporte, est conforme aux norme(s) ou aux documents normatifs suivants.

Number and date of standard Nr. Sowie Ausgabedatum der Norm No. Ainsi que date d'émission des normes.	Directive description Bestimmungen der Richtlinie Prescription de la directive
EN 50014 (1998) EN 50018 (2000) This equipment has been reviewed against the requirements of EN60079-0: 2009 and EN60079-1: 2007, in respect of the differences from the standards to which this certificate was issued; none of these differences affect this equipment. Diese Ausrüstung ist gegen die Anforderungen von EN60079-0 wiederholt worden: 2009 und EN60079-1: 2007, in Bezug auf die Unterschiede von den Standards, zu denen diese Bescheinigung ausgestellt wurde; keine dieser Unterschiede beeinflussen diese Ausrüstung. Cet équipement a été passé en revue contre les conditions d'EN60079-0 : 2009 et EN60079-1 : 2007, en ce qui concerne les différences des normes auxquelles ce certificat a été délivré ; aucune de ces différences n'affecte cet équipement.	94/9 EC : Equipment and protective systems intended for use in potentially explosive atmospheres. 94/9 EG: Geräte und Schutzsysteme zur bestimmungsgemäßen Verwendung in explosionsgefährdeten Bereichen 94/9 CE: Appareils et systèmes de protection destinés a être utilisés en atmosphères explosibles.
EN50082 (1992) EN55015 (1993) EN 60555-2 (1987)	89/336 EEC: Electromagnetic Compatability 89/336 EWG: Elektromagnetische Verträglichkeit 89/336 CEE: Compatibilité électromagnétique
Notified Body: SIRA Certiifcation Services (0518) Rake Lane Eccleston Chester CH4 9JN	 H. Davis Engineering & Quality Manager September 2010
Notification No. SIRA 02 ATEX M191	