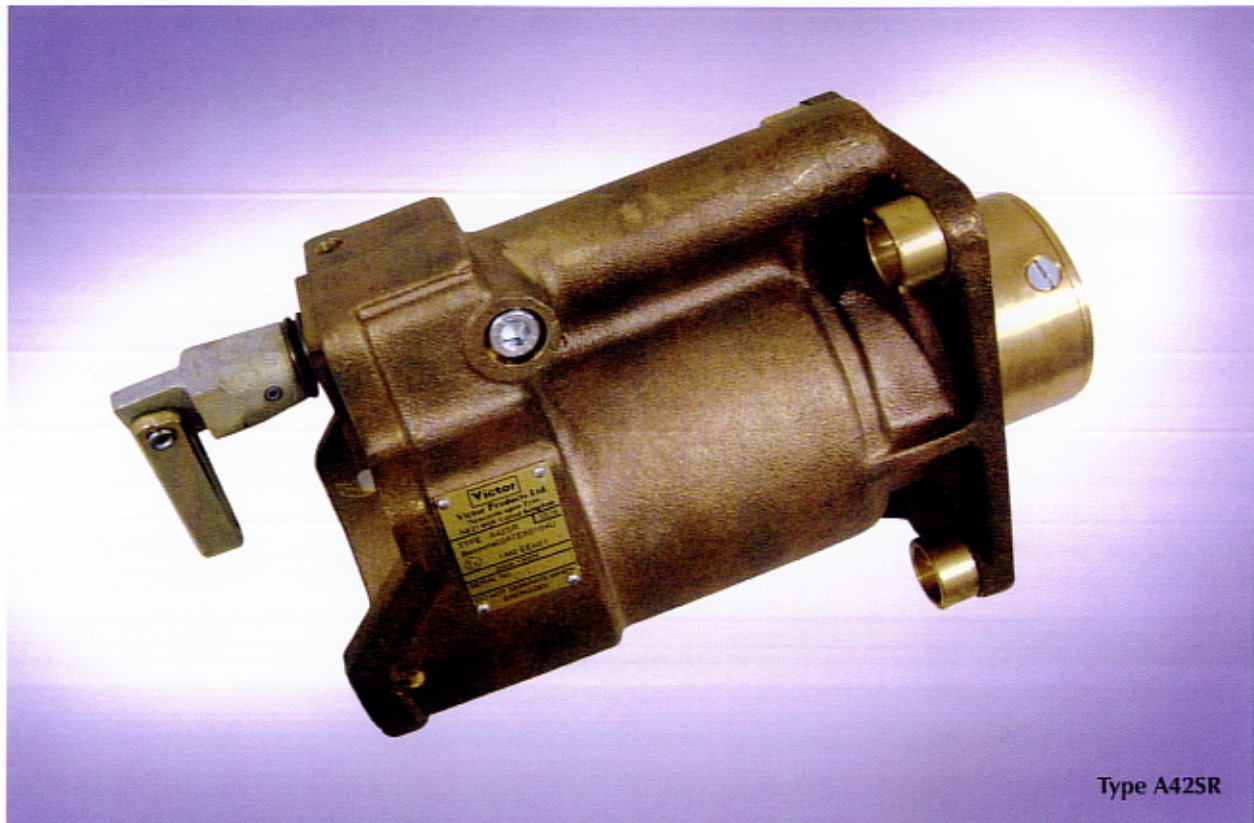


1300 Volt 250 Amp Restrained Socket



Type A42SR

SPECIFICATION

- ▼ Provision of 3 power and 1 pilot contact with scraping earth facility.
- ▼ Full integral earth screening through insulator.
- ▼ IPC outlet available.
- ▼ Current rating - 250 Amps
- ▼ Voltage - 1300 Volts
- ▼ Restrained version only
- ▼ Weight - Standard 10Kgs IPC 14Kgs

FEATURES

- ▼ Grubscrew and crimped contact pins available.
- ▼ Provision for use of padlock.
- ▼ Fully waterproof.

STANDARDS/APPROVALS

- ▼ Approved to EN 50014: 1997 and EN 50018: 2000
- ▼ Certificate No Baseefa02ATEX0104U
- ▼ Indian Certification
Test report No ERTL (E) TES/V051/0002/09-06



VICTOR PRODUCTS LIMITED

APPLICATION

To facilitate the connection of trailing cables, fitted with a suitable mating Type A42PR plugs to fans, motors, starters, gate end boxes, shearers and mobile machines. Suitable for deep mines and opencast environments.

Certified for Group 1 hazardous areas where electrical interlock by means of a pilot circuit is an essential system requirement.

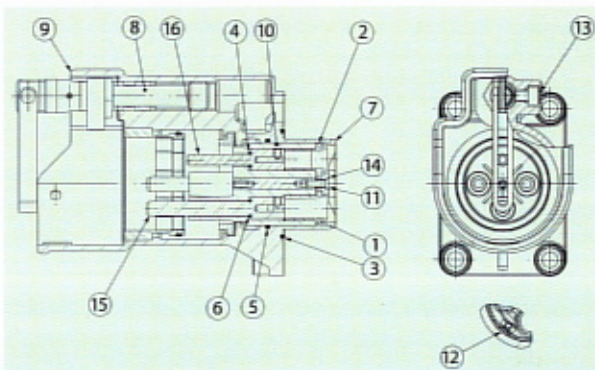
SPARE PARTS

The design is serviceable which enables key parts to be easily replaced.

See spare parts data.

SPARE PARTS - A42SR

ITEM	ORDER REFERENCE	NO. PER SET	DESCRIPTION
1	120892	3	Main Contact Pin Retaining Tube
2	120893	1	Pilot Contact Pin Retaining Tube
3	121530	1	Flange 'O' Ring
4	123318	1	Pilot Contact Pin 'O' Ring
5	123841	1	Insulator 'O' Ring
6	123858	1	Main Contact Pin 'O' Ring
7	123991	1	Insulator Clamp
8	921233	1	Withdrawal Spindle Assembly
9	925015	1	Socket Body Assembly - A42SR
10	121519E	1	Socket Insulator
11	217215	1	Insulator Retaining Screw
12	217058	2	Insulator Clamp Retaining Screw
13	218202	1	Withdrawal Spindle Retaining Screw
14	252126	1	Lockwasher 6 I/D
15	See Table	3	Mains Contact Pin
16	See Table	1	Pilot Contact Pin



Contact Pins	Conductor - CSA			
	Description	4mm ²	P/bored Ø 6mm	50mm ²
Main Contact Pin				
Crimped	-	-	921563	921563A
Clamped	-	921526M	921526A	921526B
Pilot Contact Pin				
Crimped	921564	-	-	-
Clamped	-	921522M	-	-
Other sizes available on request				

ORDERING REFERENCES

ORDER REFERENCE	DESCRIPTION
MCA002833E	250A Rest Socket pilot bored pins
MCA002833GE	250A Rest Socket 50mm grubscrew
MCA002833HE	250A Rest Socket 70mm grubscrew
MCA002833AE	250A Rest Socket 50mm crimped
MCA002833BE	250A Rest Socket 70mm crimped