

# 500 AMP Bolted Plug Coupler Type A43SCB



## SPECIFICATION

- ▼ Provision of 3 power and 1 pilot and 2 auxiliary contacts with scraping earth facility.

Current rating - 500 Amps.

Voltage - 3,300 Volts.

Weight - 13 kgs.


## FEATURES & BENEFITS

- ▼ Minimal spares stockholding.
- ▼ Compact size and weight.
- ▼ Simple serviceable design.
- ▼ Fully waterproof.

## CERTIFICATION & APPROVALS

EN 60079-0: 2006 and EN 60079-1: 2007.

ATEX Component Certificate  
Baseefa 09ATEX0122X.

 I M 2 Ex d I

IECEX Certificate of Conformity

IECEX BAS 09.0049X

Ex d I

China MA Approved

&

Russian GOST Approved

Variants also available.

**Victor**

**VICTOR PRODUCTS LIMITED**

New York Way, New York Industrial Park, Newcastle upon Tyne, NE27 0QF United Kingdom  
Tel: 0191 280 8000, Fax: 0191 280 8080 e-mail: sales@victor.co.uk www.victor.co.uk

A Federal  Signal Company

# 500 AMP Bolted Plug Coupler Type A43SCB

## APPLICATIONS

To facilitate the connection of two trailing cables, fitted with suitable mating Type A43PB plugs. Suitable for deep mine and opencast environments. Certified for Group 1 hazardous areas. Can be used in systems with or without electrical interlock by means of pilot circuit. These plug couplers are ideally suited to joining short runs of cable which are prone to mechanical damage.

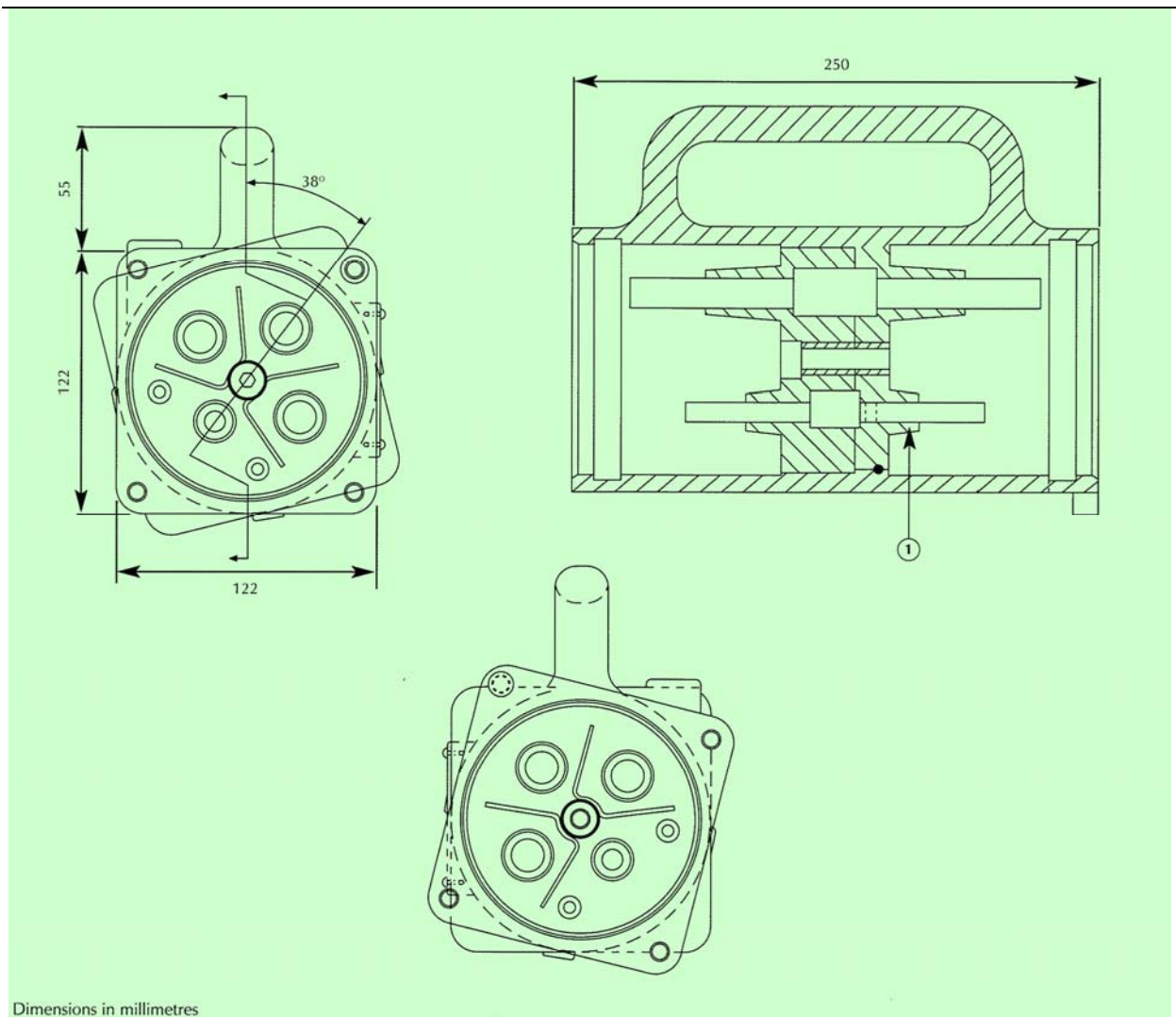
## SPARE PARTS

The design is serviceable which enables key parts to be easily replaced. See spare parts data.

## SPARE PARTS

ITEM	ORDER REFERENCE	DESCRIPTION
1	MC924554	Contact Pin and Insulator Assembly

## DIMENSIONS



## ORDERING DETAILS

ORDERING REFERENCE	DESCRIPTION
MCA002957E	500 Amp Bolted Plug Coupler with Handle
MCA002957AE	500 Amp Bolted Plug Coupler without Handle



## VICTOR PRODUCTS LIMITED

New York Way, New York Industrial Park, Newcastle upon Tyne, NE27 0QF United Kingdom  
Tel: 0191 280 8000, Fax: 0191 280 8080 e-mail: sales@victor.co.uk www.victor.co.uk

A Federal Signal Company