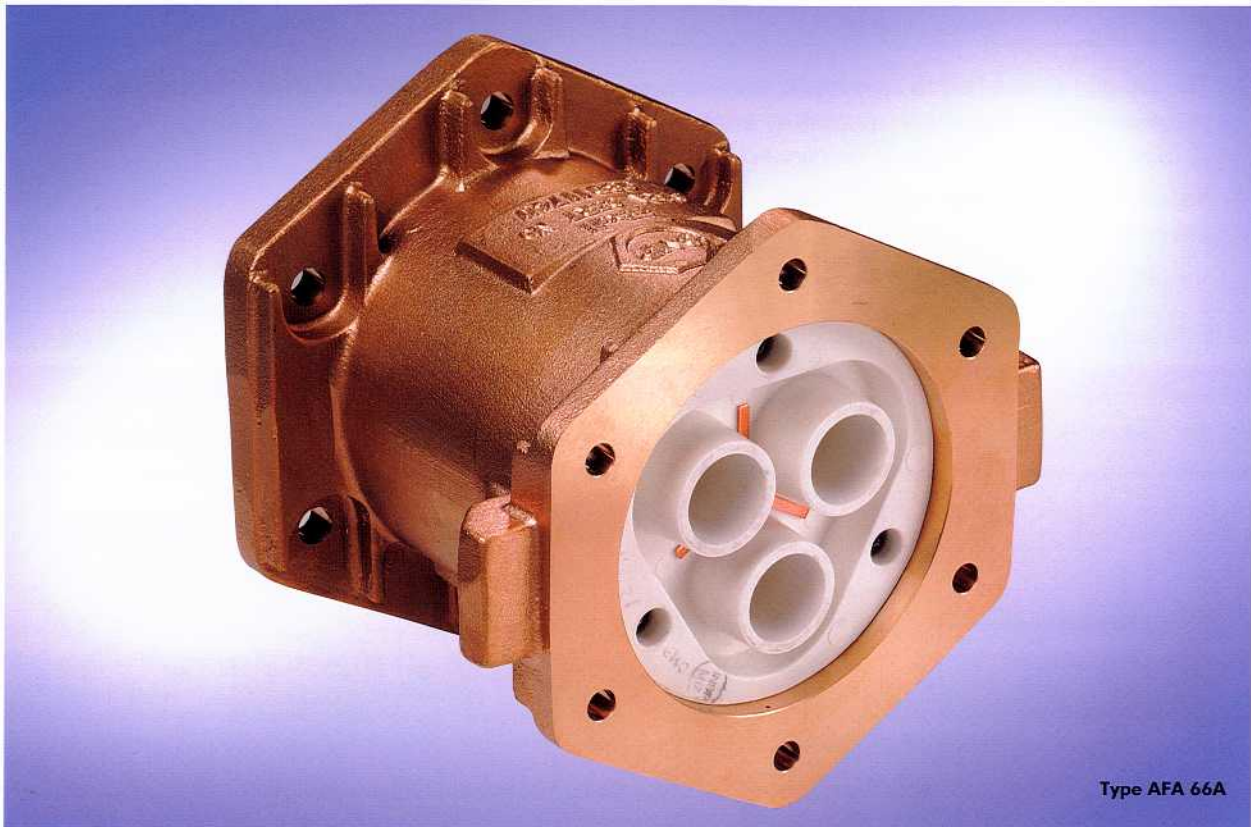


# 6.6kV 500 AMP Adaptors



Type AFA 66A

## SPECIFICATION

- ▼ Provision of 3 power contacts to accept up to 185mm<sup>2</sup>. Cable size to be specified at time of order.
- Current rating - 500 Amps.
- Voltage - 6,600 Volts.
- Weight - 15Kgs.

## STANDARDS/APPROVALS

EN 50014: 1997 and EN 50018: 2000.  
Designed to BS 3454.  
Certificate No. Sira 00ATEX1192U.

## FEATURES

- ▼ Direct cable entry.
- ▼ Double ended contact tubes to allow plug in contact pins for both incoming and outgoing.
- ▼ Pilot circuit facility available on request.

## OPTIONS

- ▼ Crimped or grubscrew contact tubes.
- ▼ Pilot circuit facility available on request.

**Victor**

## VICTOR PRODUCTS LIMITED

New York Way New York Industrial Park Newcastle upon Tyne NE27 0QF United Kingdom  
Tel: 0191 280 8000 Fax: 0191 280 8080 e-mail: sales@victor.co.uk <http://www.victor.co.uk>

## APPLICATION

The adaptor is attached to switchgear, transformers or other similar electrical apparatus, enabling a suitable mating half coupler to be connected to it.

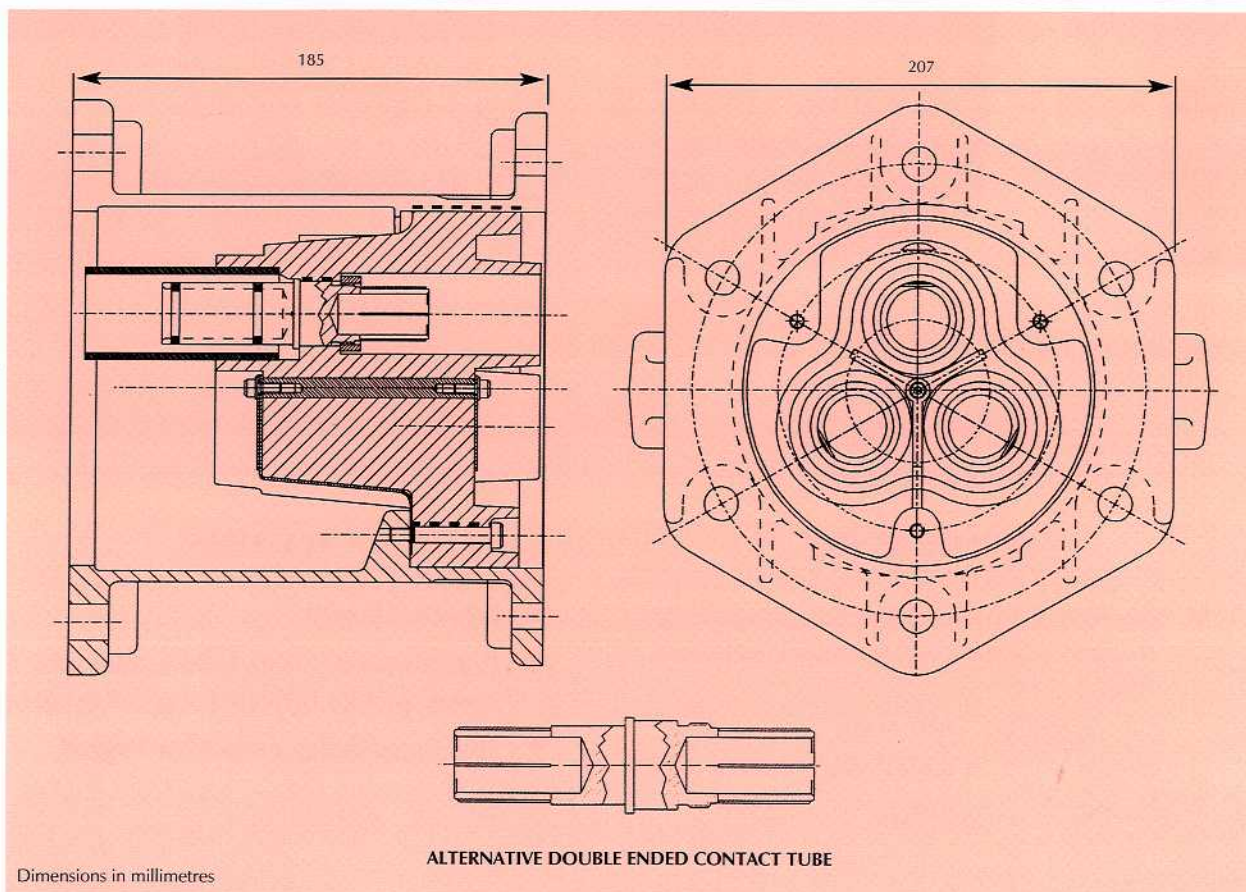
Suitable for deep mines and opencast environments.

Certified for Group 1 hazardous areas.

## SPARE PARTS

Spare parts data is available on request.

## DIMENSIONS



Dimensions in millimetres

ALTERNATIVE DOUBLE ENDED CONTACT TUBE

## ORDERING DETAILS

ORDER REFERENCE	DESCRIPTION
MPV 09960523A	6.6kV 500 Amp Adaptor double ended contact tubes
MPV 09960524A***	6.6kV 500 Amp Adaptor direct entry crimp connections
MPV 09960525A***	6.6kV 500 Amp Adaptor direct entry grubscREW connections

**\*\*\*FOR CRIMPED AND GRUBSCREW CONNECTIONS PLEASE SPECIFY CABLE SIZE**