

Type ML102 Ex d LED Face Lighting Luminaire



SPECIFICATION

- ▼ Utilises Latest LED Technology.
- ▼ Voltage ranges from 80V to 240V in one unit.
- ▼ Other Voltages Available

CERTIFICATION & APPROVAL

IECEX Certification No. IECEX SIR09.0134

I M2 Exd I Mb

ATEX Certification No. Sira 09ATEX1328

 I M2 Exd I Mb

DGMS Applied For

Ambient Temperature range:
-20°C To +45°C

Ingress Protection:
IP65

FEATURES & BENEFITS

- ▼ Low Maintenance
- ▼ Long LED Lamp Life
- ▼ High Resistance to Vibration & Shock
- ▼ Low Power Consumption.
- ▼ The higher voltage luminaire will operate from 80V to 240V AC / DC without modification.
- ▼ Other voltage options are available for 12V AC / DC or 24V AC / DC
- ▼ Low Profile ideal for applications with restricted head room.
- ▼ Hinged lamp-glass assembly.
- ▼ Simple installation.
- ▼ Through wiring available as standard



Victor

VICTOR PRODUCTS LIMITED

New York Way, New York Industrial Park, Newcastle upon Tyne, NE27 0QF United Kingdom
Tel: 0191 280 8000, Fax: 0191 280 8080 e-mail: sales@victor.co.uk www.victor.co.uk

A Federal  Signal Company

TECHNICAL SPECIFICATION

Lamp Type

LED – Purpose designed LED strip.
In excess of 100,000 hours lamp life. (Temperature and switching dependant)

Power Supply

Mains input can vary from 80V to 240V AC (50/60 Hz) or DC.

Power Consumption

15W max.

Cable Entries

Options available: -
Threaded Entry – up to 2 x M32
Flanged Entry – 2 x 25.4 Dia.

Note: Glands can be supplied on request

Temperature

Ambient temperature: - -20°C to + 45°C

Materials

Main Box	- Gunmetal.
Seals	- Nitrile Rubber
External Fasteners	- Stainless Steel.
Lamp-glass	- Toughened Soda Lime Glass

Weight

LED Luminaire - 10.5 Kg

Installation / Mounting

Each luminaire has cast in mounting points suitable for M8 fixings
The luminaire may be mounted in any orientation
Alternative mounting brackets are available on request.

Installation Leaflet

Item number ML193102 is supplied with each luminaire.



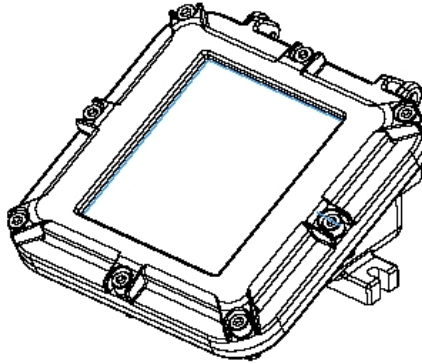
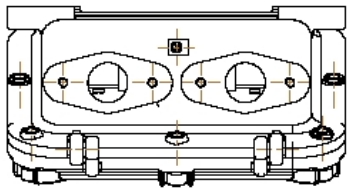
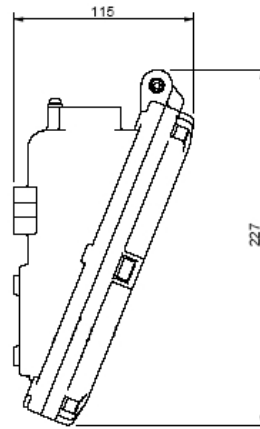
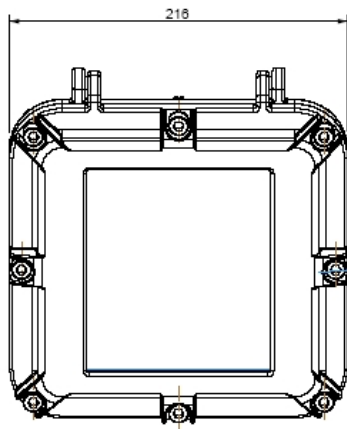
Victor

VICTOR PRODUCTS LIMITED

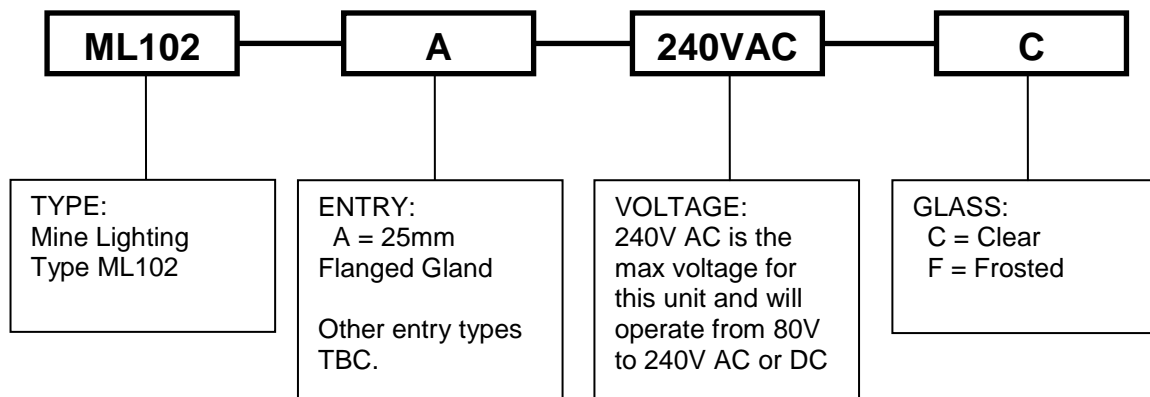
New York Way, New York Industrial Park, Newcastle upon Tyne, NE27 0QF United Kingdom
Tel: 0191 280 8000, Fax: 0191 280 8080 e-mail: sales@victor.co.uk www.victor.co.uk

A Federal  Signal Company

DIMENSIONS



ORDERING REFERENCES.



EXAMPLE: - ML102A240VACC = Mine Lighting Type ML102 for 2 x 25mm Diameter Flange Cable entries suitable for voltage ranging from 80V to 240V AC or DC fitted with clear glass.



Victor

VICTOR PRODUCTS LIMITED

New York Way, New York Industrial Park, Newcastle upon Tyne, NE27 0QF United Kingdom
Tel: 0191 280 8000, Fax: 0191 280 8080 e-mail: sales@victor.co.uk www.victor.co.uk

A Federal  Signal Company