

SPECIFICATION

- ▼ Provision of 3 power contacts.
- Current rating - 500 Amps.
- Voltage - 6600 Volts.
- Weight - 27kg.


FEATURES & BENEFITS

- ▼ Compound filled
- ▼ Designed for connection to any appropriately certified Group I compound filled coupler or insulated end cover having an interface to BS 3905

CERTIFICATION & APPROVALS

EN 50014:1997 and EN 50018:1994.

Certificate No. MECS00ATEX5172U.

 IM 2 EEx d I

OPTIONS

- ▼ Double ended contact tubes to allow plug in contact pins for both incoming and outgoing.

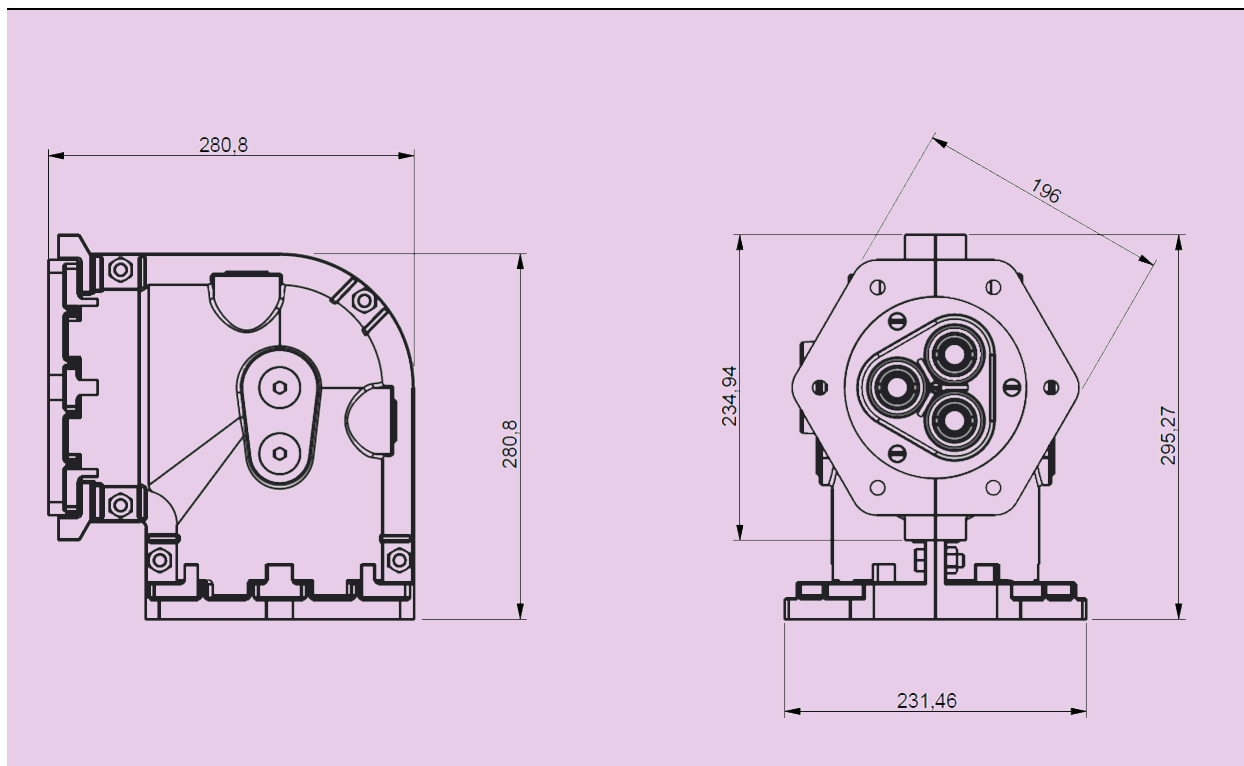
APPLICATIONS

The adaptor is attached to switchgear, transformers or other similar electrical apparatus, enabling a suitable mating half coupler to be connected to it. Suitable for deep mines and opencast environments. Certified for Group 1 Hazardous Area. Requires Compound kit to complete installation.

SPARE PARTS

Spare parts data is available on request.

DIMENSIONS



TYPICAL ORDERING REFERENCES

ORDERING REFERENCE	DESCRIPTION
MPA7121314A	6.6kV Right Angled Adaptor 50mm ² Crimped Connectors
MPA7121316A	6.6kV Right Angled Adaptor 95mm ² Crimped Connectors
MPA7121317A	6.6kV Right Angled Adaptor 120mm ² Crimped Connectors
MPA7121318A	6.6kV Right Angled Adaptor 150mm ² Crimped Connectors
MPA7121319A	6.6kV Right Angled Adaptor 185mm ² Crimped Connectors