



Type 66MK1A

## SPECIFICATION

- ▼ Provision of 3 power contact tubes suitable for stranded copper conductors up to 185mm<sup>2</sup>.
- ▼ Current Rating - 500Amps.
- ▼ Voltage - 6,600 Volts.
- ▼ Weight - 30 kgs. (unfilled)  
- 42 kgs. (filled).

## FEATURES

- ▼ Suitable for Unarmoured and Pliable Wire Armoured (PWA) cables.
- ▼ Compact size and weight.
- ▼ Heavy duty, metal body
- ▼ All units are compound filled after cable make off.
- ▼ Units are connected together by nuts and bolts with removable contact pins ensuring any system can be easily lengthened or shortened.

## STANDARDS/APPROVALS/CERTIFICATION

EN 50014: 1997 + Amds 1&2  
and  
EN 50018: 2000.

ATEX Certified  I M2 EExd I

Component certificate Nos.  
MECS02ATEX5092U – For Single Half Coupler.  
MECS02ATEX5093 – For Pair of Half Couplers bolted together.


## OPTIONS

- ▼ Alternative crimp or grub screw contact tubes.
- ▼ Internal earth facility.
- ▼ Additional Pilot / Auxiliary contacts are available.



**Victor**

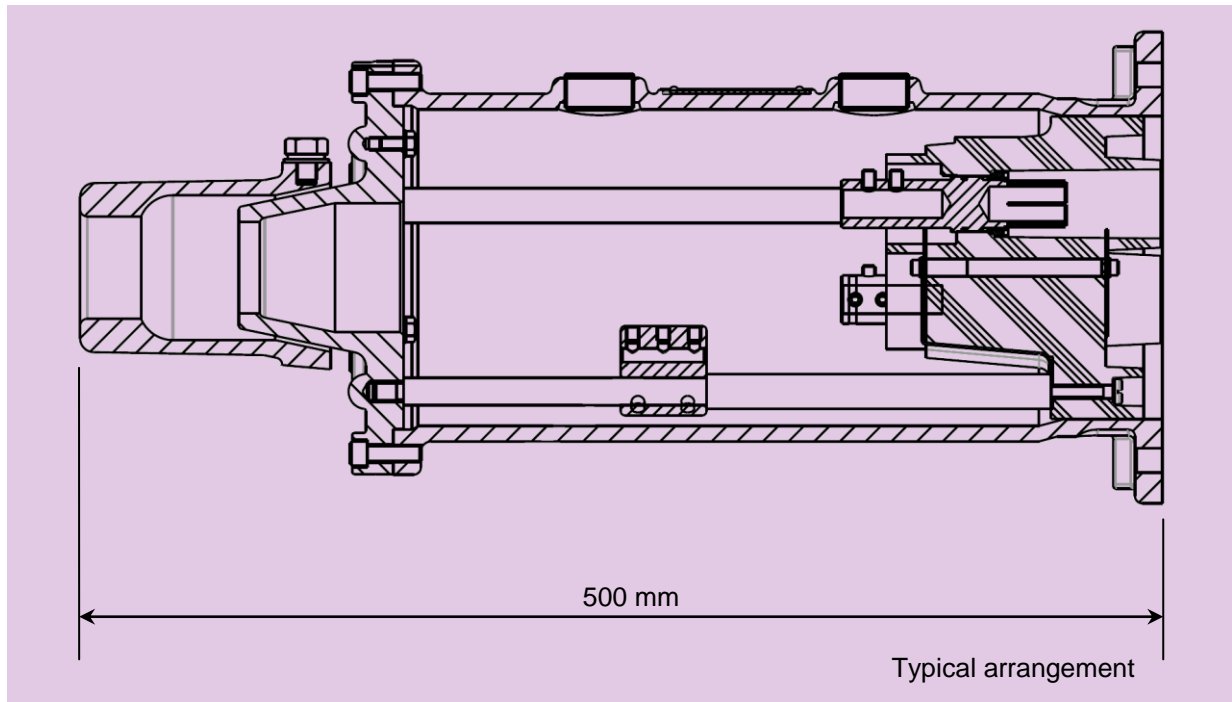
**VICTOR PRODUCTS LIMITED**

New York Way, New York Industrial Park, Newcastle upon Tyne, NE27 0QF United Kingdom  
Tel: 0191 280 8000, Fax: 0191 280 8080 Email: [sales@victor.co.uk](mailto:sales@victor.co.uk) Web: [www.victor.co.uk](http://www.victor.co.uk)  
A Federal  Signal Company

## APPLICATION

Suitable for the termination and connection of mains cables for use in opencast, industrial areas or Group I certified deep mines. Connection to a mating Half Coupler or Adaptor is made by the fitting of 3 removable contact pins. To ensure that the flameproof/waterproof properties and the protection of any unused flange is maintained, the 3 contact pins can be easily removed and the open flange closed off using the approved Blanking Cover and Sealing ring.

## DIMENSIONS



## TYPICAL ORDERING REFERENCE

| ORDER REFERENCE | DESCRIPTION   |
|-----------------|---|
| MPV06450611A    | 6.6MK1 Half Coupler suitable for unarmoured cable diameter 88.6mm with 3 x 95mm <sup>2</sup> conductors and centre pilot, grubscrew contacts                                  |
| MPV06450648A    | 6.6MK1 Half Coupler suitable for unarmoured cable diameter 65.8mm (Protomont) with 3 x 95mm <sup>2</sup> conductors and centre pilot, crimped contacts                        |
| MPV06450622A    | 6.6MK1 Half Coupler suitable for unarmoured cable diameter 60.9mm with 3 x 50mm <sup>2</sup> , 1 x 16 mm <sup>2</sup> & 1 x 10 mm <sup>2</sup> conductors, grubscrew contacts |
| MPV06350651A    | 6.6MK1 Half Coupler suitable for PWA Type 620 cable with 3 x 70mm <sup>2</sup> conductors, grubscrew contacts   |
| MPV06350088A    | 6.6MK1 Half Coupler suitable for PWA Type 631 cable with 3 x 70mm <sup>2</sup> conductors, crimped contacts   |

