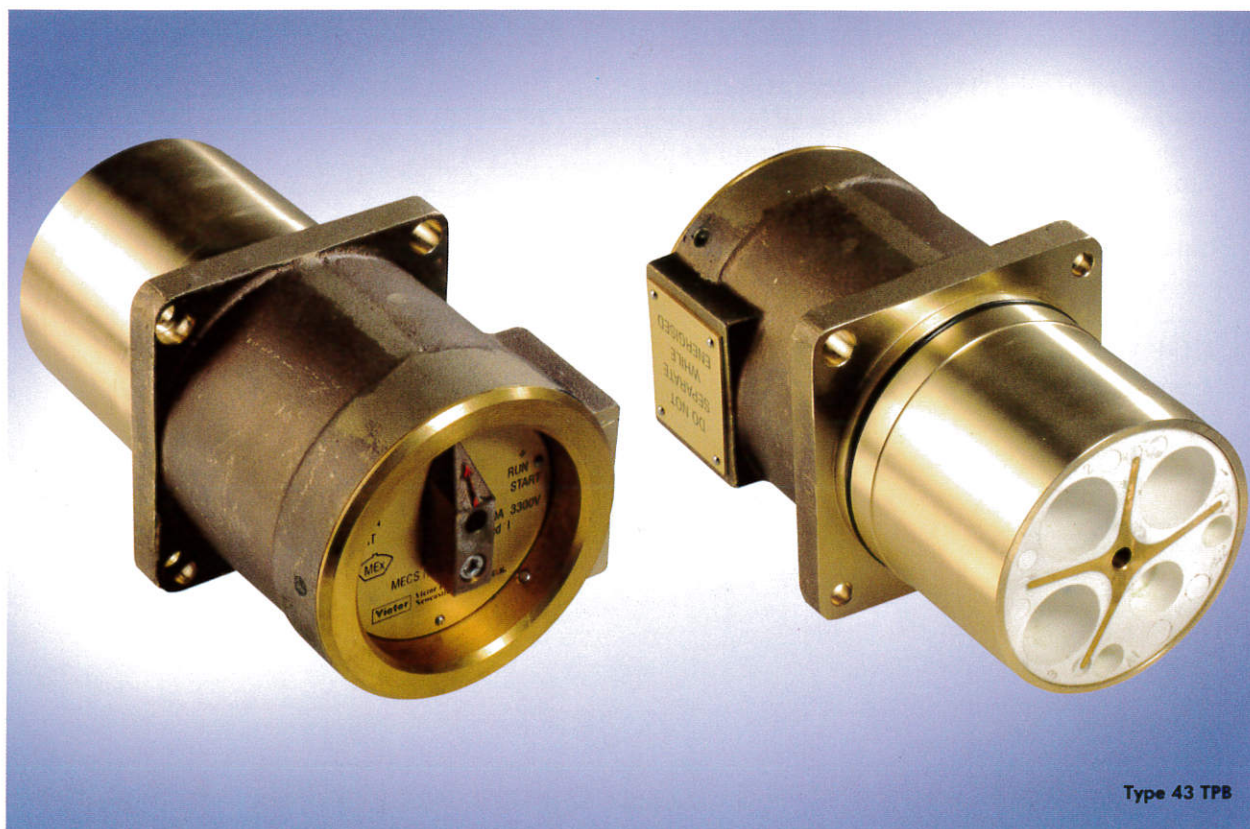


500 AMP Bolted Test Plug



Type 43 TPB

SPECIFICATION

- ▼ Provision of 3 power and 1 pilot and 2 auxiliary contacts with scraping earth facility. Full integral earth screening through insulator.
- Current rating - 500 Amps.
Voltage - 3300 Volts.
Weight - 8.7kg.

FEATURES

- ▼ Compact size and weight.
- ▼ Robust construction.
- ▼ Rotary switch operation.
- ▼ Simple serviceable design.
- ▼ Fully waterproof.

STANDARDS/APPROVALS

Approved to BS 5501 Parts 1 and 5,
EN 50014: 1977 and EN 50018: 1977.

Component Certificate
MECS No 96C5086U.

Victor

VICTOR PRODUCTS LIMITED

New York Way New York Industrial Park Newcastle upon Tyne NE27 0QF United Kingdom

Tel: 0191 280 8000 Fax: 0191 280 8080 e-mail: sales@victor.co.uk <http://www.victor.co.uk>

APPLICATION

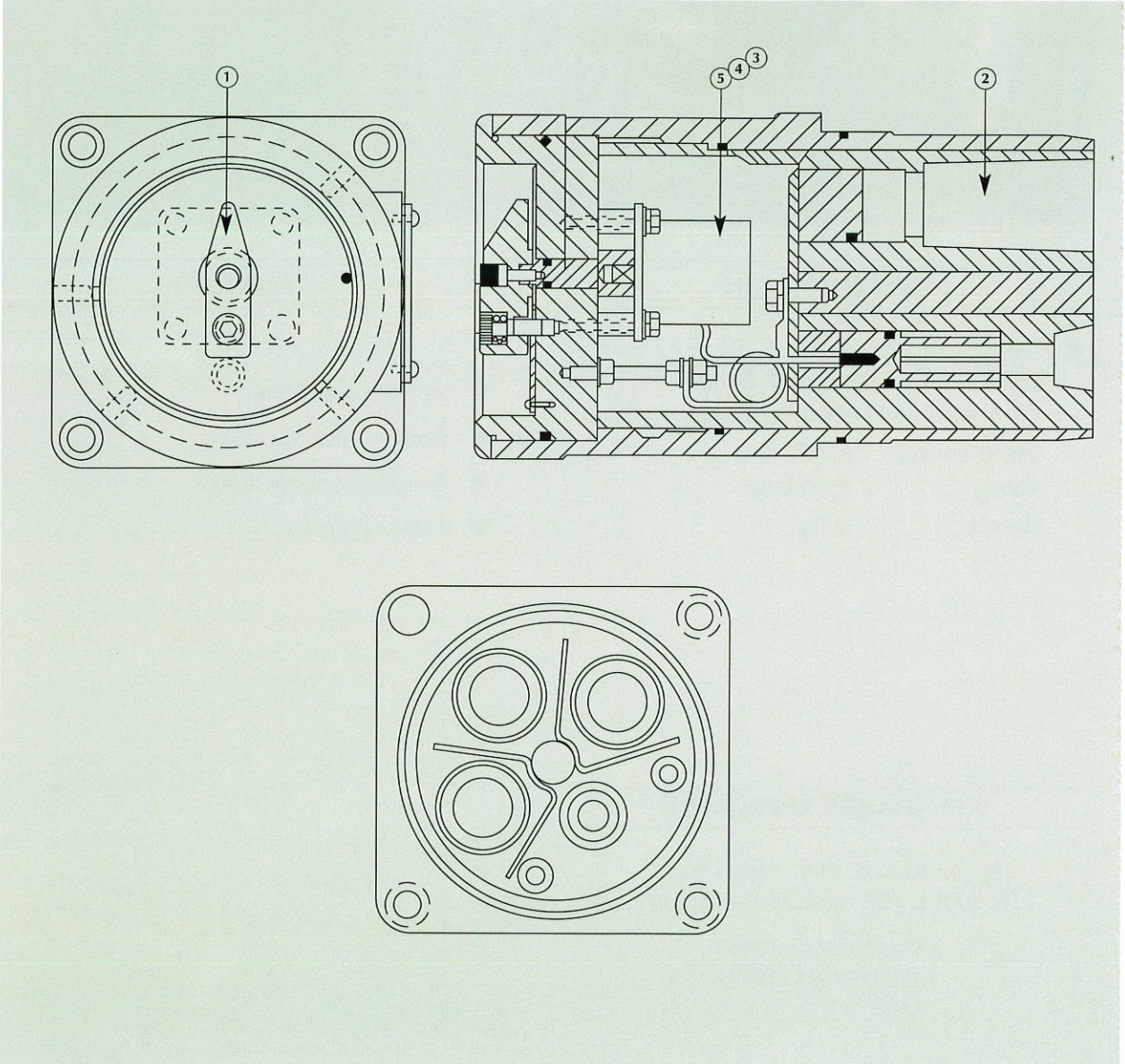
The testing of pilot circuits in electrical equipment fitted with Type 43 SB sockets. Suitable for deep mine And opencast environments. Certified for Group 1 hazardous areas. These test plugs are the essential means by which pilot circuits to BS3101 can be tested e.g. on gate end box socket outlets.

SPARE PARTS

The design is serviceable which enables key parts to be easily replaced. See spare parts data.

SPARE PARTS

ITEM	ORDER REFERENCE	DESCRIPTION
1	MC124520	Test Switch Handle
2	MC124553	Test and Blanking Plug Insulator
3	MC124545	Selector Switch
4	MC124582	Wire Wound Resistor
5	MC924583	Diode Assembly



ORDERING DETAILS

ORDER REFERENCE	DESCRIPTION
MC002954E	500 Amp Bolted Test Plug